

# Product 2024



nood co.™



## Contents

<b>Our Story</b>	<b>05</b>
<b>Warranty</b>	<b>09</b>
<b>Technical Features</b>	<b>09</b>
<b>Sustainability</b>	<b>10</b>
<b>Colours</b>	<b>12</b>
<b>Commercial</b>	<b>14</b>
<b>Collection</b>	<b>16</b>
<b>Products</b>	<b>01</b>
<b>Bathtubs</b>	<b>18</b>
• Juno Bath	18
<b>CN by Nood Co</b>	<b>20</b>
• Millie	20
• Millie Raw	22
• Luna	24
• Molli	28
<b>Conscious</b>	<b>30</b>
• Mill	30
• Slip	34
• Cast	38
<b>Basins</b>	<b>40</b>
• Herbert	40
• Betty	44
• Loop 01/02	46
• Shelf 01	48
• Shelf 02	52
• Shelf 03	54
• Bowl	56
• Hoop	60
• Pill	62
• Funl	66
• Cube	68
• Prism Rectangle	70
• Prism Circle	74
• Stepp Rectangle	78
• Stepp Circle	80
• Tubb	84
• Vesl Square	86
• Vesl Rectangle	88
• Box	90
• Shelf Oval	92
• Cylinder	94
• Box Vanity Set	96
• Trough Vanity Set	98
<b>Contact   Sales Representatives</b>	<b>100</b>



## Our Story

Nood Co is a design and manufacturing company, producing industry-leading concrete basins and bathtubs right here in Australia. With a taste for restraint, Nood Co aims to explore one of the most tried and tested building materials, concrete. The goal with every Nood Co product is to find duality in form and function. Taking a traditionally masculine material and reworking it into a soft and feminine design.

The resulting range are pieces which feel ethereal, curved and refined. Considered designs, available in 21 colours, paired back to their Nood Co state.

**A new consciousness in concrete is here.**



Founded in 2017 by Matt Di Costa and Chris Walker, the forming of Nood Co was an accidental one. Derived from a designer and a maker, Nood Co first came about when a design project landed on their doorstep. The brief was to blend feminine Parisian interior with masculine concrete. To do so required Matt and Chris to collaborate on a robust concrete mix that allowed for various design applications. Resulting in a designer range of basins, which have since taken the market by storm.

Seven years later, Nood Co is an industry leader in concrete basins and bathtubs. With what once started as two friends in a garage, now spans a team of 17 Australia-wide.

As a material, concrete has some serious connotations. Which leaves room to create pieces that have a sense of play and disproportion. Displaying restraint is key when it comes to a Nood Co product, allowing the form, materiality and colour to work as one. The brand is constantly pushing the boundaries of what concrete can achieve, creating products that are not only beautiful, but last a lifetime.



- Robust Warranty
- Ultra High Performance Concrete
- Integrated Sealant
- Lightweight Excellence
- Solid Pigment Disbursement

## Industry Leading Warranty

Each Nood Co basin and bathtub are crafted from the finest materials, undergoing stringent quality checks to ensure they meet the highest industry standards. As a testament to our confidence in their longevity and performance, we offer an unrivalled warranty on our concrete products. Customers can feel confident with a product that not only looks pretty, but is built to last.

For full warranty terms visit [noodco.com.au/pages/warranty](https://noodco.com.au/pages/warranty)

## Features

### Ultra High Performance Concrete (UHPC)

Our UHPC blend not only boasts a significantly increased MPA (Megapascal) value, ensuring it can withstand higher loads and stresses than conventional concrete mixes, but it's also built to resist a variety of environmental conditions. This dual advantage makes our concrete an ideal choice for projects requiring superior strength, longevity, and reduced maintenance.

**Super strong products, designed to last.**

### Integrated Sealant

Our products stand out in the market with an integrated sealant, a feature that sets us apart from the standard surface seal found in other concrete products. By incorporating the sealant directly into our mix, we ensure a consistent and even distribution throughout the entire product. This, combined with our unique blend of several admixes, allows Nood Co to achieve unparalleled water resistance.

The integrated nature of our sealant offers long-lasting protection and means that Nood Co baths and basins will not peel or delaminate, eliminating the need for future resealing and resulting in a maintenance free experience.

**We've done the hard work, so you don't have to.**

## Lightweight Excellence

Years of dedicated research and development have culminated in our concrete products being among the lightest available in the market today. Despite their enhanced strength, our blends are crafted to weigh less than traditional concrete. This not only streamlines transportation and handling but also makes for easy installation.

**Products that weigh around 30% less than their ceramic equivalents, and look about 130% cooler.**

## Solid Pigment Disbursement

Nood Co products are uniquely pigmented throughout their entire structure, a testament to our advanced colouring process that guarantees a uniform hue and patina. This means that even if the surface undergoes wear or suffers chips, the underlying colour remains consistent inside and out. While we've achieved remarkable consistency in our concrete products, minor variations such as pinholes and batch differences are a natural and beautiful characteristic of the natural material and do not void the warranty.

**The colour goes all the way through (you can take our word for it!).**

## Sustainability

Nood Co is a proud part of the sustainable movement for product. From prototyping through to delivery, each step in the manufacturing process has been modified with a sustainable view.

## 6 out of 7 production materials

sourced within Australia.

## 95% pass through rate

with less than 5% waste which is sent to a concrete recycling plant.

## 100% Chemical Free Colour

dispersed throughout - meaning the colour is the same inside and out.

## 96% less embodied energy

to manufacture than its ceramic equal.

## Recyclable to the very end

Nood Co basins can be recycled at the end of their lifespan.

## Reduced carbon footprint.

We've partnered with Carbon Positive Australia, with every sale contributing to replanting trees in bushfire affected areas.

## Low VOC

Our sealing process involves a food safe, UV stable sealer and extremely low in VOCs.

## Omission of Portland cement

With recent data showing the damaging effects of Portland cement around the globe. Our base composition is one without Portland cement.

## Recycled packaging

All Nood Co cardboard packaging is made from recycled material.

## Combustion Data

### Nood Co Silica Sand

- Flammability: None
- Hazards from combustion products: Not flammable or combustible
- Suitable extinguishing media
- Special protective precautions and equipment for firefighters: None
- Hazchem code: None allocated

### Nood Co Cement

- Non combustible

### Nood Co Sealer

- Heat resistant up to 500F (260C)
- Food safe and non-toxic: complies with FDA guidelines
- Non combustible

### Nood Co Tint

- Non combustible
- Low VOC



**Colour**  
Signature Range



**Ivory**

HEX  
F2F2EE



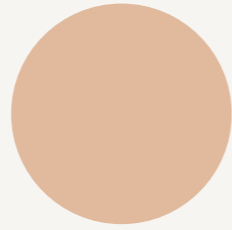
**Sand**

HEX  
E3DDC8



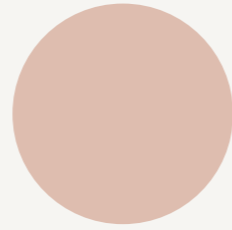
**Custard**

HEX  
ECD8AF



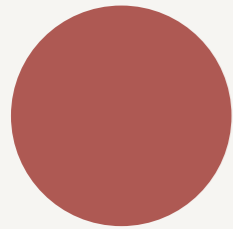
**Pastel Peach**

HEX  
E2BA9D



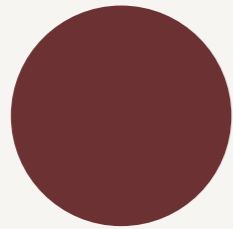
**Blush Pink**

HEX  
DFBEBO



**Musk**

HEX  
AE5953



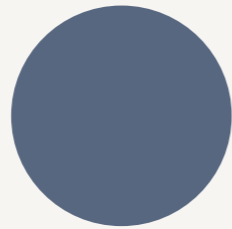
**Clay**

HEX  
6C3132



**Powder Blue**

HEX  
D7E0E2



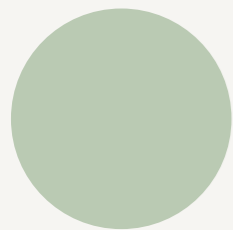
**Copan Blue**

HEX  
576780



**Lilac**

HEX  
CACAD3



**Mint**

HEX  
BBCAB3



**Teal**

HEX  
416055



**Sky Grey**

HEX  
A1A1A1



**Mid Tone Grey**

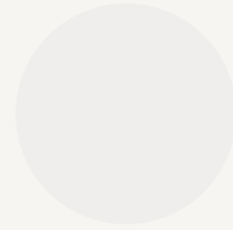
HEX  
58554F



**Charcoal**

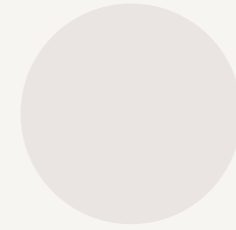
HEX  
1A1917

**Colour**  
Conscious Range



**Cloud**

HEX  
EEEEEE



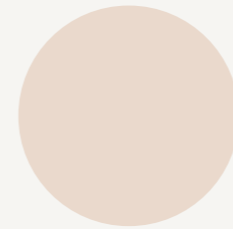
**Morning Mist**

HEX  
EBE5E3



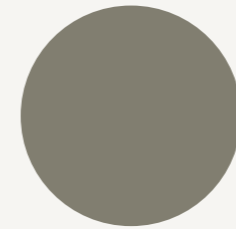
**Mushroom**

HEX  
E0D5C8



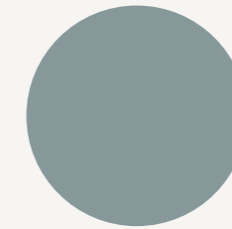
**Nood**

HEX  
EAD9CC



**Olive**

HEX  
817F71



**Rowboat**

HEX  
85989A



Images L-R: Mataya Eatery featuring Shelf 02 in Musk. Captured by Overland Media. Ember Bathhouse by Studio Traces featuring Mill Basin in Nood. Captured by Dion Robeson.

## Commercial Application

With over 7 years of business under our belt, we've been proud to be a part of countless commercial projects over the years. Nood Co products have featured in restaurants, boutique hotels, bars, spas and more.

Our in-house concrete design and manufacturing systems have enabled Nood Co to rapidly expand into the commercial space in over 12 countries. We have a dedicated team for commercial projects, who can closely work with interior designers, developers and architects on a project of any scale. Part of our commercial offering are custom colours and designs.

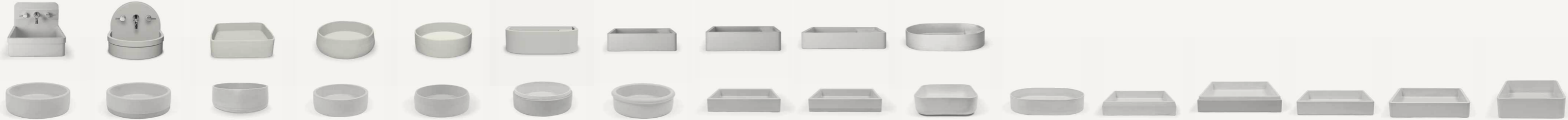
For product specifications, DWG files, and more, please contact our team.

To learn more, email [commercial@noodco.com.au](mailto:commercial@noodco.com.au)



Collection

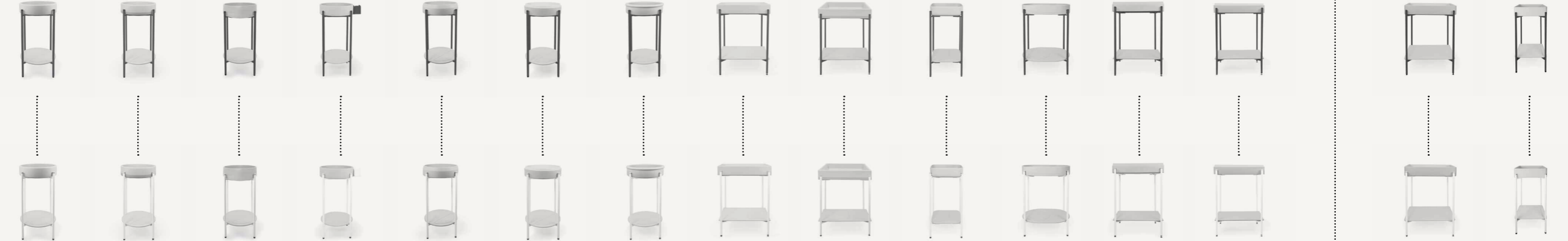
Basins



Pedestals



Stands



Vanity



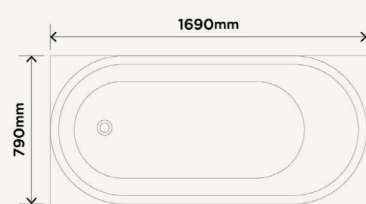


Image: Juno Bathtub in Blush Pink.

## Juno

Juno captures the epitome of sleek design and fine craftsmanship. Handcrafted from premium materials and produced using leading manufacturing methods, Juno is a masterpiece that we invite you to experience.

<b>Material</b>	UHP Concrete.
<b>Finish</b>	Matte / Low sheen. Finish is organic, muted, has tonal variation in colour and finish.
<b>Weight</b>	300kg (600lbs)
<b>Dimensions</b>	L1690mm x W790mm x H580mm (L67in x W31.in x H29in)
<b>Tub capacity</b>	300L (79.25gal)
<b>Waste</b>	Suits a standard 40mm or 42mm (Waste not supplied by Nood Co)
<b>Warranty</b>	24 months. Refer to Warranty Sheet for specific information.
<b>Waste hole size</b>	50mm (1.97in)
<b>Wall thickness</b>	45mm (1.78in)
<b>Orientation</b>	Freestanding
<b>Colour</b>	All Nood Co colours



PLAN VIEW



SECTION VIEW



ISOMETRIC VIEW

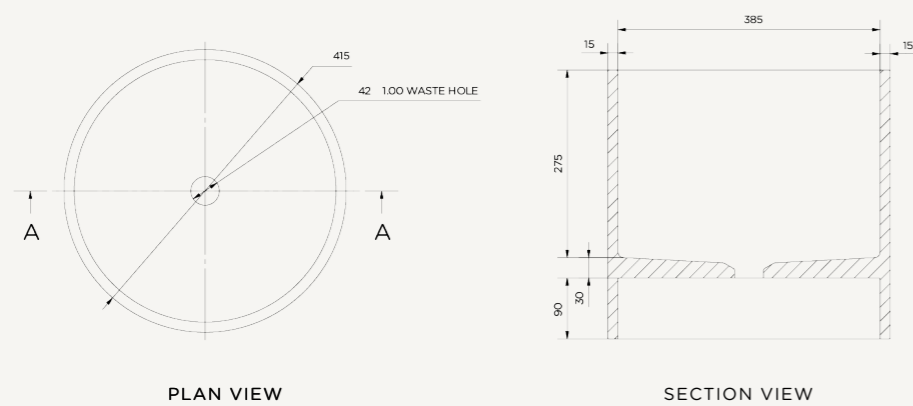


Image: Millie Basin in Ivory.

## Millie

Sculptural and minimal, Millie sets a refined tone to your carefully curated bathroom space.

<b>Material</b>	UHP Concrete
<b>Finish</b>	Matte / Low sheen. Finish is organic, muted, and has tonal variation in colour and finish.
<b>Weight</b>	24kg
<b>Dimensions</b>	H395mm x D415mm
<b>Bowl capacity</b>	34.5 L
<b>Tap hole</b>	N/A
<b>Overflow</b>	N/A
<b>Waste required</b>	Suits a standard 32mm. (Waste not supplied by Nood Co)
<b>Warranty</b>	7-Year Residential Warranty. Refer to Warranty Sheet for specific information.
<b>Waste hole size</b>	42mm
<b>Wall thickness</b>	10mm
<b>Wall mount</b>	N/A
<b>Orientation</b>	Surface mount
<b>Colour</b>	All Nood Co colours



PLAN VIEW

SECTION VIEW

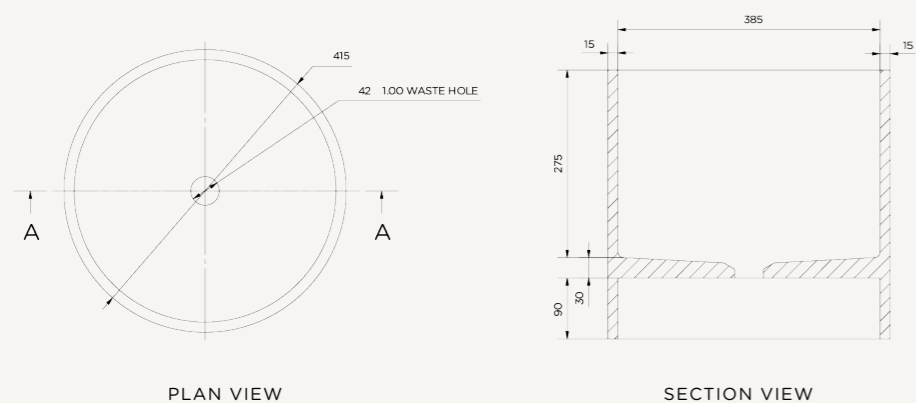


# Millie Raw

An earthy, organic look. Millie Raw explores the world of beautiful imperfection.

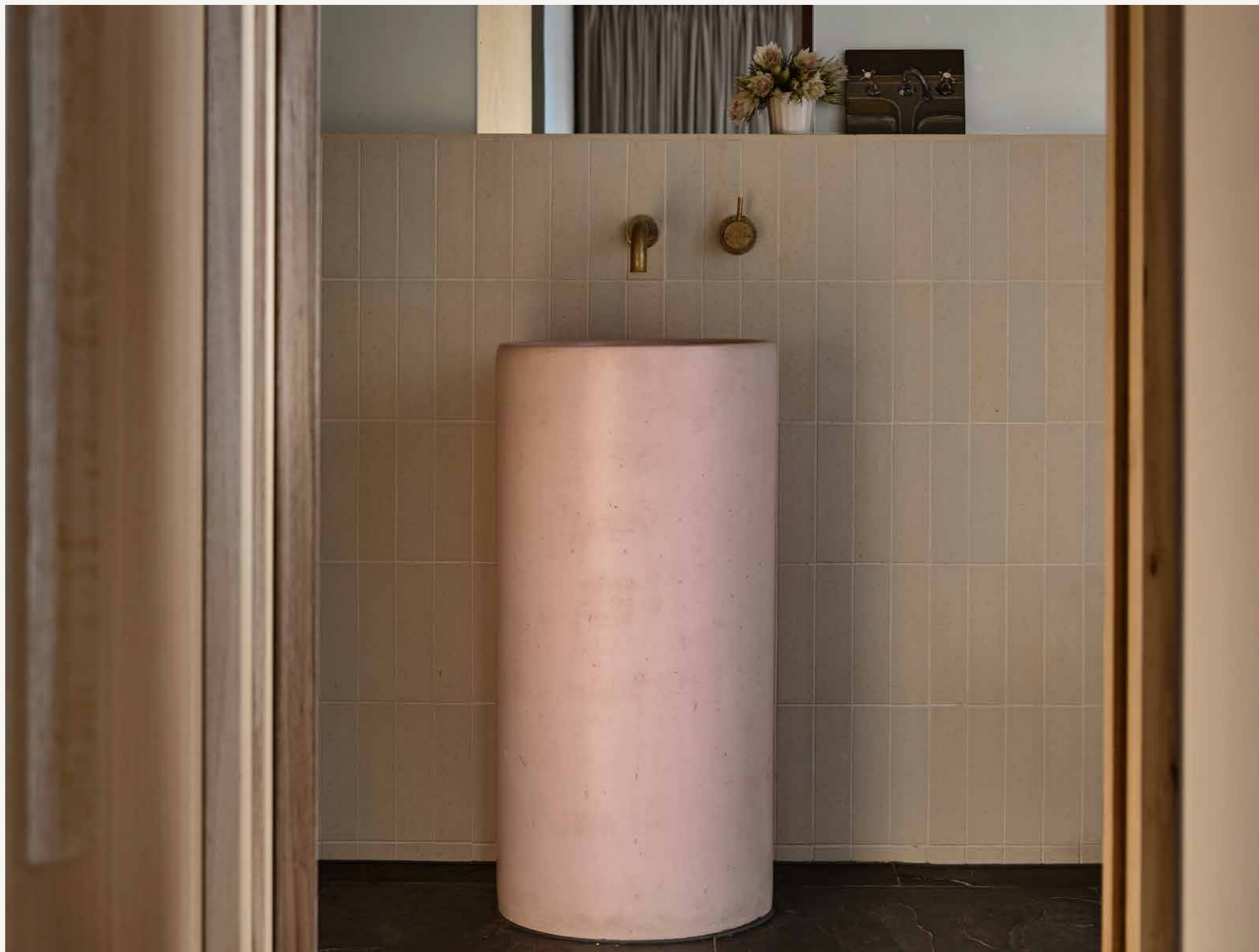
<b>Material</b>	UHP Concrete
<b>Finish</b>	Matte / Low sheen. Finish is organic, muted, and has tonal variation in colour and finish.
<b>Weight</b>	27kg
<b>Dimensions</b>	H395mm x D415mm
<b>Bowl capacity</b>	28.3 L
<b>Tap hole</b>	N/A
<b>Overflow</b>	N/A
<b>Waste</b>	Suits a standard 32mm (Waste not supplied by Nood Co)
<b>Warranty</b>	24 months
<b>Waste hole size</b>	42mm
<b>Wall thickness</b>	29mm
<b>Wall mount</b>	N/A
<b>Orientation</b>	Surface mount
<b>Colour</b>	All Nood Co colours

Image: Arcos Villa by GRAYA and Joe Adsett Architects featuring Millie Raw in Blush Pink.



PLAN VIEW

SECTION VIEW



## Luna

A silky, freestanding statement, Luna's smooth single form and soft curves will bring a subtlety to your bathroom space.

<b>Material</b>	UHP Concrete
<b>Finish</b>	Matte / Low sheen. Finish is organic, muted, and has tonal variation in colour and finish.
<b>Weight</b>	65kg
<b>Dimensions</b>	H890mm x D420mm
<b>Bowl capacity</b>	11.3 L
<b>Tap hole</b>	N/A
<b>Overflow available</b>	N/A
<b>Waste</b>	Suits a standard 32mm (Waste not supplied by Nood Co)
<b>Warranty</b>	24 months
<b>Waste hole size</b>	40mm or 42mm
<b>Wall thickness</b>	20mm
<b>Options</b>	Shadowline base adjustable feet
<b>Wall hang required</b>	Basins are organic shaped in nature and may not sit perfectly against wall.
<b>Orientation</b>	Floor mount
<b>Colour</b>	All Nood Co colours

Image: Mt Eliza House by Antony Martin Architects featuring Luna in Blush Pink. Captured by Derek Swalwell.

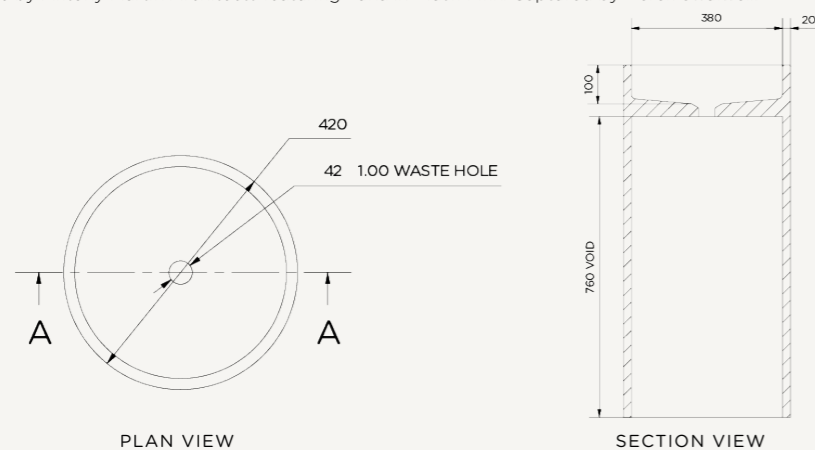




Image: BaShan Restaurant by Tom Mark Henry featuring Luna in Clay. Captured by Andrew Worssam.

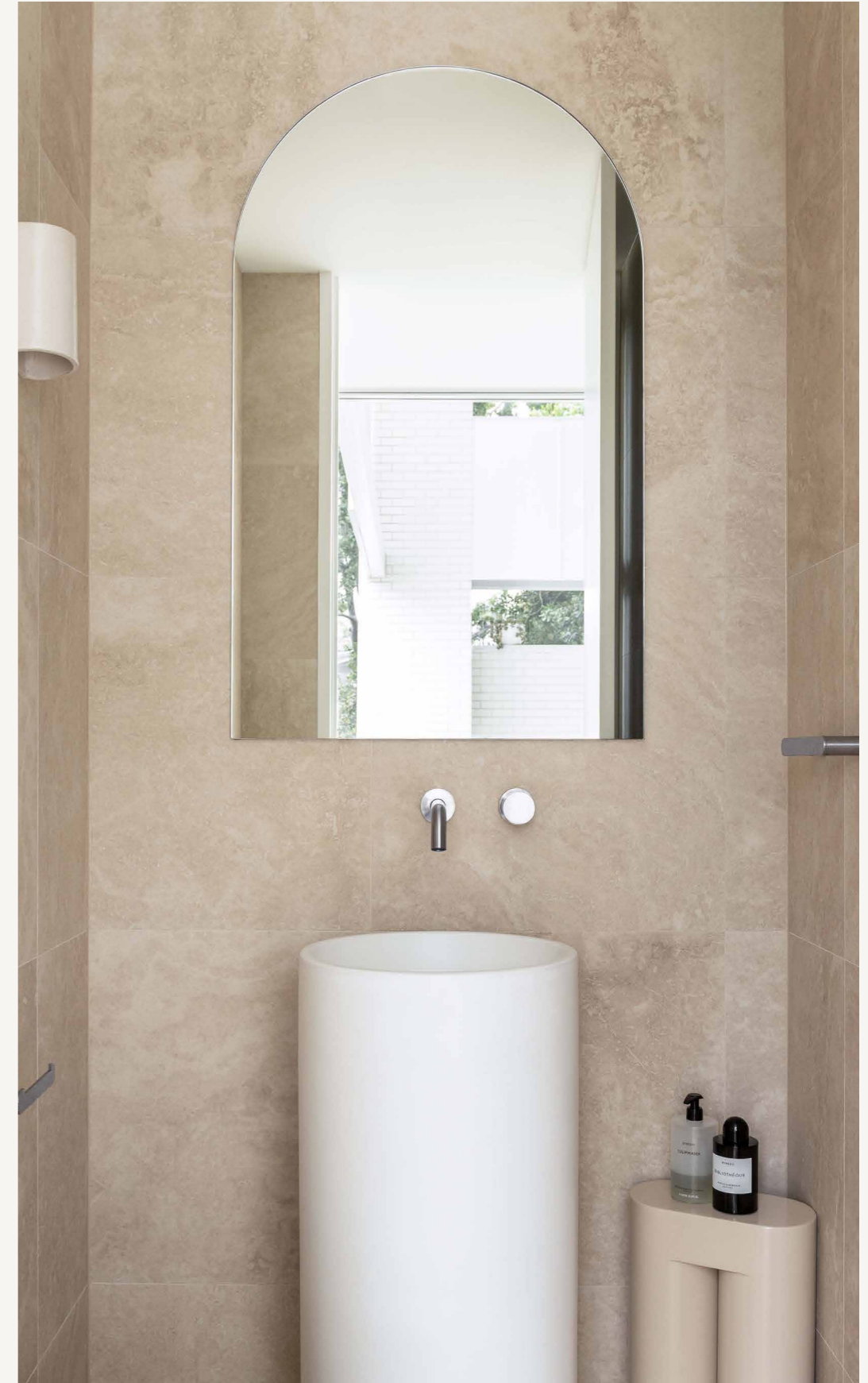


Image: Vogue Haus by GRAYA and Joe Adsett Architects featuring Luna in Ivory.

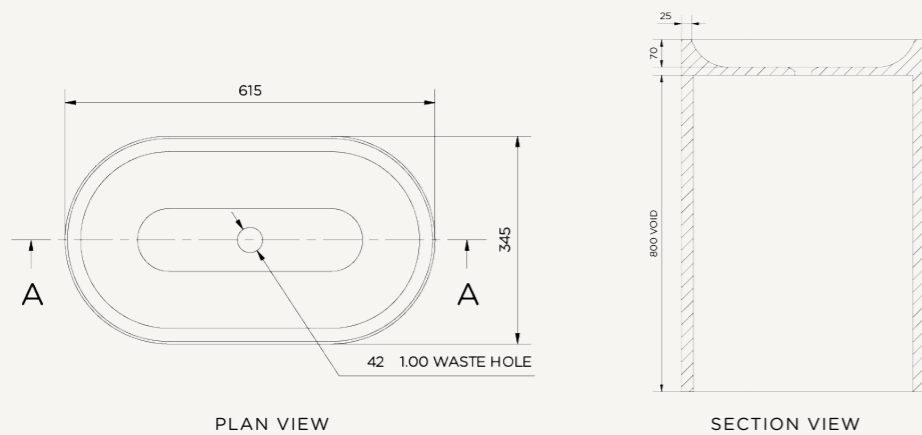


# Molli

With careful curve and proportion, Molli will bring pure elegance to your bathroom setting.

<b>Material</b>	UHP Concrete
<b>Finish</b>	Matte / Low sheen. Finish is organic, muted, and has tonal variation in colour and finish.
<b>Weight</b>	75kg
<b>Dimensions</b>	H890mm x L615mm x W345mm
<b>Bowl capacity</b>	9.7 L
<b>Tap hole</b>	N/A
<b>Overflow available</b>	N/A
<b>Waste</b>	Suits a standard 32mm (Waste not supplied by Nood Co)
<b>Warranty</b>	7-Year Residential Warranty. Refer to Warranty Sheet for specific information.
<b>Waste hole size</b>	42mm
<b>Wall thickness</b>	20mm
<b>Options</b>	Shadowline base adjustable feet.
<b>Wall hang required</b>	Basins are organic shaped in nature and may not sit perfectly against wall
<b>Orientation</b>	Floor mount
<b>Colour</b>	All Nood Co colours

Image: The Block 2023 Kyle & Leslie Powder Room Reveal featuring Molli Freestanding Pedestal in Olive.





# Mill

Hand molded, organic and soft.  
Welcome to the perfect imperfect.

<b>Material</b>	UHP concrete
<b>Finish</b>	Matte / Low sheen. Finish is organic, muted, has tonal variation in colour and finish.
<b>Weight</b>	8.1kg (17.86lbs)
<b>Dimensions</b>	380Dmm x 110Hmm (15Din x 4.33Hin)
<b>Bowl capacity</b>	8.9L (2.4gal)
<b>Tap hole</b>	N/A
<b>Overflow available</b>	N/A
<b>Waste</b>	40 or 42mm waste Standard (1.65in) (Waste not supplied by Nood Co)
<b>Warranty</b>	7-Year Residential Warranty. Refer to Warranty Sheet for specific information.
<b>Waste hole size</b>	50mm (1.96in)
<b>Wall thickness</b>	8mm (0.31)
<b>Options</b>	Surface mount / Wall Hung
<b>Wall mount</b>	Basins are organic shaped in nature and may not sit perfectly against wall
<b>Orientation</b>	Surface or wall mount
<b>Colour</b>	All Nood Co colours

Image: Ember Bathhouse by Studio Traces featuring Mill Basin in Nood. Captured by Lauren Brewer.

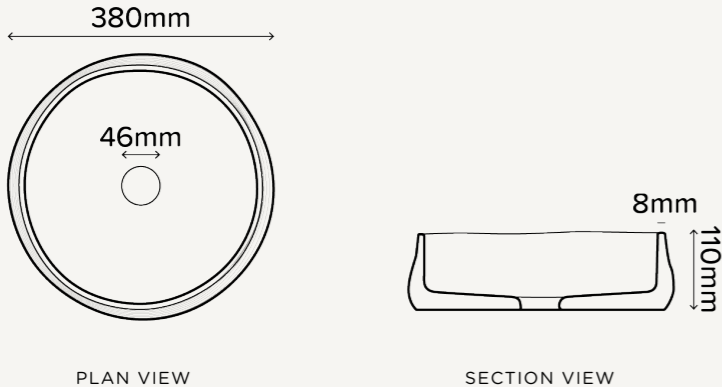






Image: House 2 by DNA of Design featuring Mill Basin in Nood.



Image: Bridgeport Designs project featuring Mill Basin in Ivory. Captured by Coastpark Creative.

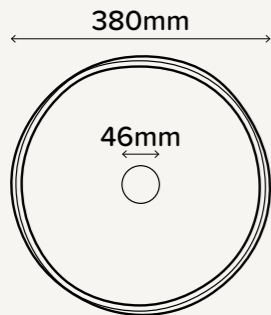


# Slip

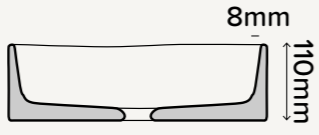
Hand molded, organic and soft.  
Welcome to the perfect imperfect.

<b>Material</b>	UHP concrete
<b>Finish</b>	Matte / Low sheen. Finish is organic, muted, has tonal variation in colour and finish.
<b>Weight</b>	7.85kg (17.31lbs)
<b>Dimensions</b>	380Dmm x 110Hmm (15Din x 4.33Hin)
<b>Bowl capacity</b>	8.9L (2.4gal)
<b>Tap hole</b>	N/A
<b>Overflow available</b>	N/A
<b>Waste</b>	40 or 42mm waste Standard (1.65in) (Waste not supplied by Nood Co)
<b>Warranty</b>	7-Year Residential Warranty. Refer to Warranty Sheet for specific information.
<b>Waste hole size</b>	50mm (1.96in)
<b>Wall thickness</b>	8-26mm (0.31-1in)
<b>Options</b>	Surface mount / Wall Hung
<b>Wall mount</b>	Basins are organic shaped in nature and may not sit perfectly against wall
<b>Orientation</b>	Surface or wall mount
<b>Colour</b>	All Nood Co colours

Image: Kayla Itsines' Home by Hong Henwood and Karen Leech Architects featuring Slip in Ivory. Captured by Brock Beazley Photography.



PLAN VIEW



SECTION VIEW



Image: Kayla Itsines' Home by Hong Henwood and Karen Leech Architects featuring Slip in Ivory. Captured by Brock Beazley Photography.



Image: The Block 2023 Steph & Gian Bathroom Reveal featuring Slip Basin in Olive.

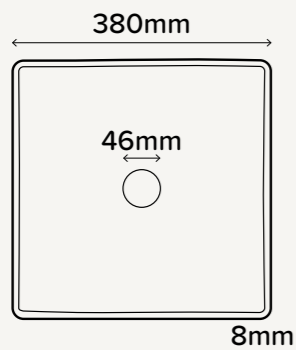


Image: Cast Basin in Mushroom.

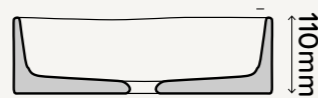
## Cast

Hand molded, organic and soft.  
Welcome to the perfect imperfect.

<b>Material</b>	UHP concrete
<b>Finish</b>	Matte / Low sheen. Finish is organic, muted, has tonal variation in colour and finish.
<b>Weight</b>	9kg (20lbs)
<b>Dimensions</b>	380mm x 380mm x 110mm (15in x 15in x 4.33in)
<b>Bowl capacity</b>	9.9L (2.6gal)
<b>Tap hole</b>	N/A
<b>Overflow available</b>	N/A
<b>Waste</b>	40 or 42mm waste Standard (1.65in) (Waste not supplied by Nood Co)
<b>Warranty</b>	7-Year Residential Warranty. Refer to Warranty Sheet for specific information.
<b>Waste hole size</b>	50mm (1.96in)
<b>Wall thickness</b>	8mm (0.31)
<b>Options</b>	Surface mount / Wall Hung
<b>Wall mount</b>	Basins are organic shaped in nature and may not sit perfectly against wall.
<b>Orientation</b>	Surface or wall mount
<b>Colour</b>	All Nood Co colours



PLAN VIEW



SECTION VIEW



# Herbert

Based on a 1950's design, Nood Co take a step back, to take a step forward. The Herbert basin is the perfect designer piece for your bathroom space.

<b>Material</b>	UHP Concrete
<b>Finish</b>	Matte / Low Sheen
<b>Weight</b>	14.1kg (30.9lbs)
<b>Dimensions</b>	W410 x D355mm x H335mm (L16.2in x W13.1in x H13.1in)
<b>Bowl capacity</b>	15.3L (3.96gal)
<b>Tap hole</b>	Only available as pictured
<b>Overflow available</b>	N/A
<b>Waste</b>	32mm or 40mm Standard (1½in) (Waste not supplied by Nood Co)
<b>Warranty</b>	7-Year Residential Warranty. Refer to Warranty Sheet for specific information.
<b>Waste hole size</b>	46mm (1.8in)
<b>Wall thickness</b>	18mm
<b>Options</b>	Surface Mount / Wall Hung
<b>Wall hang required</b>	Mount before tiling - to timber frame or masonry wall.
<b>Colour</b>	All Nood Co colours. One Tone / Two Tone

Image: BuildHer 8 Project by BuildHer Collective and Ben Callery Architects featuring One Tone Herbert Basin in Powder Blue. Captured by Dylan James.

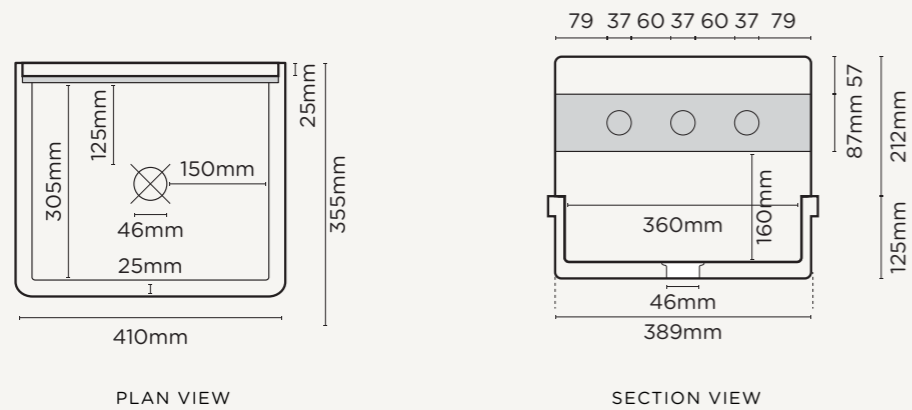




Image: One Tone Herbert Basin in Musk.

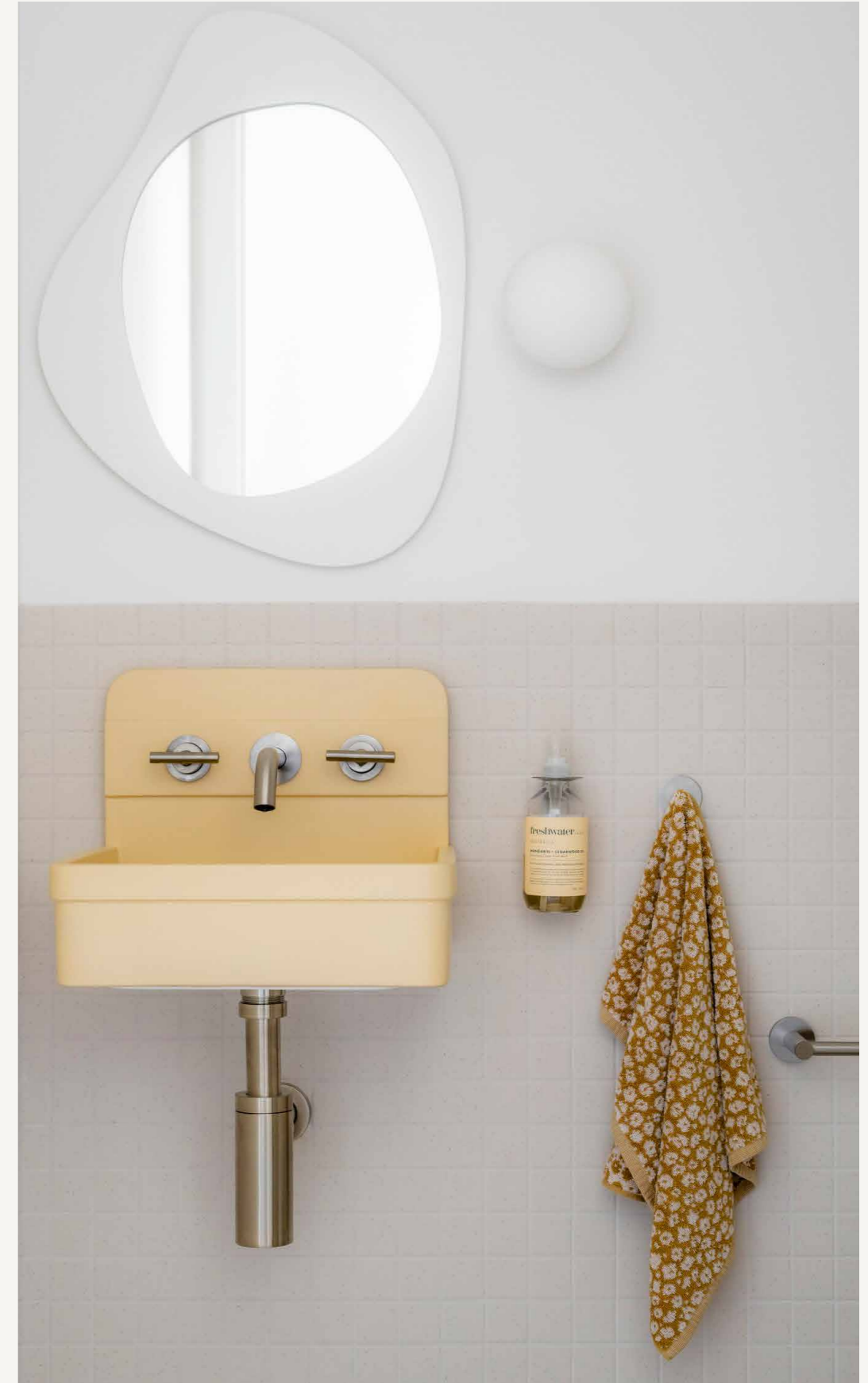


Image: Sapphire House by Section Studio and Alison Lewis Interiors featuring One Tone Herbert in Custard. Captured by Nic Stephens.

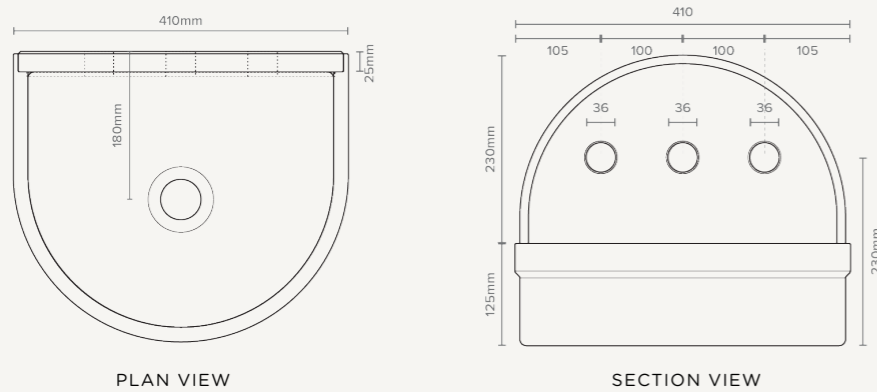


# Betty

Our reimagining of the past. Betty is a curved, contemporary rethink of a mid century classic.

<b>Material</b>	UHP Concrete
<b>Finish</b>	Matte / Low Sheen
<b>Weight</b>	15kg (33lbs)
<b>Dimensions</b>	355mmL x 410mmW x 355mmH (14Lin x 16.14Win x 14Hin)
<b>Bowl capacity</b>	13L (3.4gal)
<b>Tap hole</b>	Only available as pictured
<b>Overflow available</b>	N/A
<b>Waste</b>	Suits a standard 32mm (1.25in) waste. (Waste not supplied by Nood Co)
<b>Warranty</b>	24 months
<b>Waste hole size</b>	46mm (1.8in)
<b>Wall thickness</b>	20mm (0.8in)
<b>Options</b>	Surface Mount / Wall Hung
<b>Wall hang required</b>	Mount before tiling - to timber frame or masonry wall.
<b>Colour</b>	All Nood Co colours

Image: The Block 2023 Leah & Ash Bathroom Reveal featuring Betty Basin in Powder Blue.

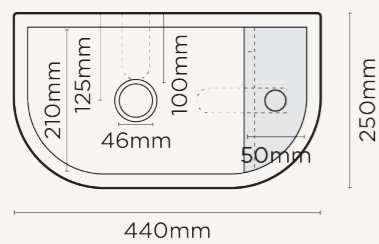




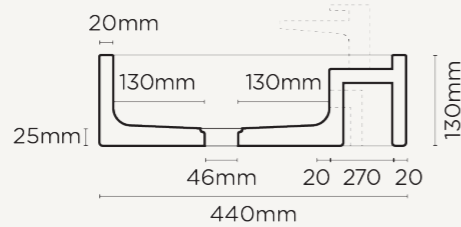
# Loop 01/02

The Loop 01 is Nood Co's new powder room fave. Cute compact, curvy and available in Nood Co bespoke colours. It's time to elevate the sophistication of your bathroom spaces.

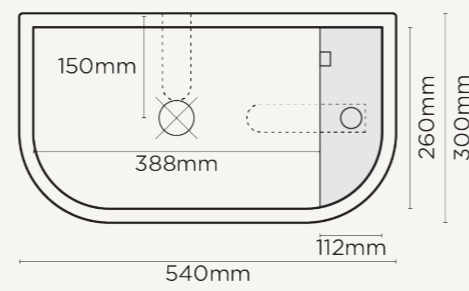
<b>Material</b>	UHP Concrete
<b>Finish</b>	Matte / Low Sheen
<b>Weight</b>	9,5kg (20.9lbs)
<b>Dimensions</b>	O1: L440mm x W250mm x H130mm (L17.3in x W9.8in x H5.1in) Available in 2 sizes, see online for details.
<b>Bowl capacity</b>	5.2L (1.3gal)
<b>Tap hole</b>	50mm (1.96in)
<b>Overflow available</b>	White, black or chrome (housing option) Kit Chrome - 32mm
<b>Waste</b>	40 or 42mm waste Standard (1.65in) (Waste not supplied by Nood Co)
<b>Warranty</b>	7-Year Residential Warranty. Refer to Warranty Sheet for specific information.
<b>Waste hole size</b>	46mm (1.8in)
<b>Wall thickness</b>	20mm (0.8in)
<b>Options</b>	Surface Mount / Wall Hung / Tap hole / Overflow
<b>Wall hang required</b>	Mount after tiling - basin back has a recess to cater for bracket.
<b>Orientation</b>	Shelf to the right only
<b>Colour</b>	All Nood Co colours



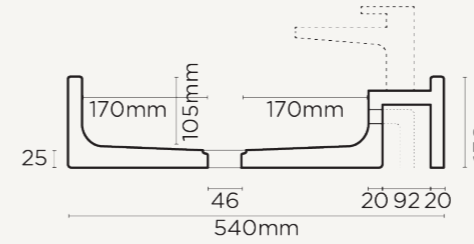
PLAN VIEW | LOOP 1



SECTION VIEW | LOOP 1



PLAN VIEW | LOOP 2



SECTION VIEW | LOOP 2





# Shelf 01

For tight spaces, powder rooms, hotel and apartment blocks the small Shelf basin has a space for soap or a tap hole, and a further option of overflow, wall mount or surface mount. Simple install after tiles, this basin ticks all the boxes.

<b>Material</b>	UHP Concrete
<b>Finish</b>	Matte / Low Sheen
<b>Weight</b>	8.6kg (18.95lbs)
<b>Dimensions</b>	L440mm x W250mm x H130mm (L17.3in x W9.8in x H5.1in) Available in 3 sizes, see online for details.
<b>Bowl capacity</b>	5.5L (1.4gal)
<b>Tap hole</b>	35mm (1.37in)
<b>Overflow available</b>	White, black or chrome (housing option) Kit Chrome - Overflow basin requires 32mm waste.
<b>Waste</b>	32mm or 40mm Standard (Waste not supplied by Nood Co, Overflow basin requires 32mm waste)
<b>Warranty</b>	24 months
<b>Waste hole size</b>	46mm (1.8in)
<b>Wall thickness</b>	20mm (0.8in)
<b>Options</b>	Surface Mount / Wall Hung / Tap hole / Overflow
<b>Wall hang required</b>	Mount after tiling - basin back has a recess to cater for bracket.
<b>Orientation</b>	Shelf to the right only
<b>Colour</b>	All Nood Co colours

Image: Shelf 01 Basin in Pastel Peach.

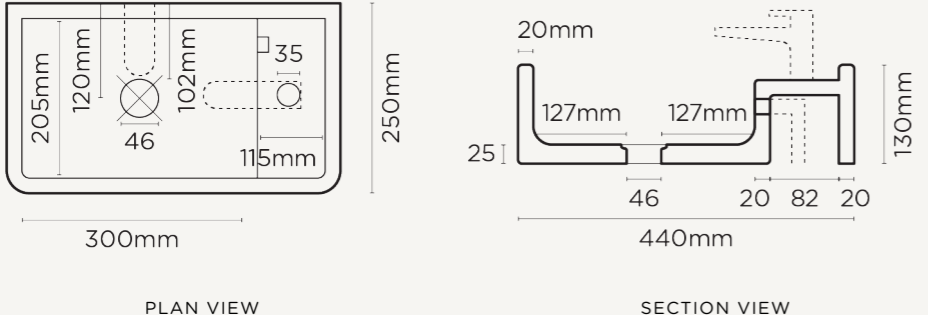




Image: Camberwell Project by Jade Layton Architecture and Elise Scott Studio featuring Shelf 01 in Powder Blue.



Image: Vivaldi Project by Jess O'Shea Designs featuring Shelf 01 in Mid Tone Grey. Captured by Peter Ellery.

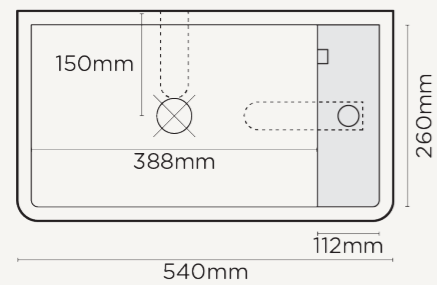


## Shelf 02

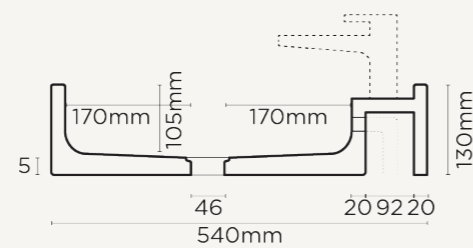
For tight spaces, powder rooms, hotel and apartment blocks this medium sized Shelf basin has a space for soap or a tap hole, and a further option of overflow, wall mount or surface mount. Simple install after tiles, this basin ticks all the boxes.

<b>Material</b>	UHP Concrete
<b>Finish</b>	Matte / Low Sheen
<b>Weight</b>	11.35kg (25lbs)
<b>Dimensions</b>	L540mm x W300mm x H130mm (L21.2in x W11.8in x H5.1in)
<b>Bowl capacity</b>	9L (2.35gal)
<b>Tap hole</b>	35mm (1.37in)
<b>Overflow available</b>	White, black or chrome (housing option) Kit Chrome - Overflow basin requires 32mm waste
<b>Waste</b>	32mm or 40mm Standard (Waste not supplied by Nood Co, Overflow basin requires 32mm waste)
<b>Warranty</b>	24 months
<b>Waste hole size</b>	46mm (1.8in)
<b>Wall thickness</b>	20mm (0.8in)
<b>Options</b>	Surface Mount / Wall Hung / Tap hole / Overflow
<b>Wall hang required</b>	Mount after tiling - basin back has a recess to cater for bracket.
<b>Orientation</b>	Shelf to the right only
<b>Colour</b>	All Nood Co colours

Image: Naibu Designs featuring Shelf 02 basin in Powder Blue.



PLAN VIEW



SECTION VIEW

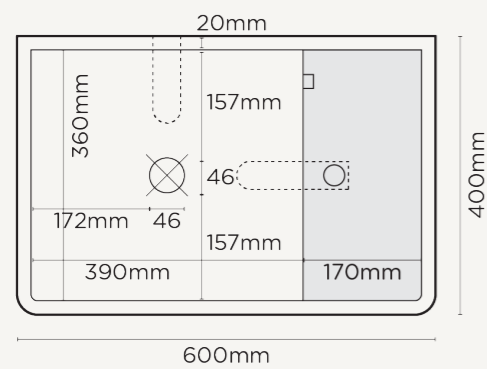


## Shelf 03

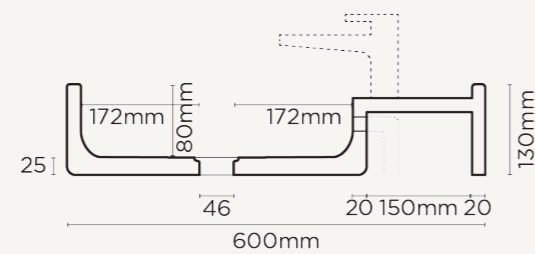
For tight spaces, powder rooms, hotel and apartment blocks this full sized Shelf basin has a space for soap or a tap hole, and a further option of overflow, wall mount or surface mount. Simple install after tiles, this basin ticks all the boxes.

<b>Material</b>	UHP Concrete
<b>Finish</b>	Matte / Low Sheen
<b>Weight</b>	16.5kg (13.6lbs)
<b>Dimensions</b>	L600mm x W400mm x H115mm (L23.6in x W15.7in x H4.5in)
<b>Bowl capacity</b>	9.8L (2.6gal)
<b>Tap hole</b>	35mm (1.37in)
<b>Overflow available</b>	White, black or chrome (housing option) Kit Chrome - Overflow basin requires 32mm waste
<b>Waste</b>	32mm or 40mm Standard (Waste not supplied by Nood Co, Overflow basin requires 32mm waste)
<b>Warranty</b>	24 months
<b>Waste hole size</b>	46mm (1.8in)
<b>Wall thickness</b>	20mm (0.8in)
<b>Options</b>	Surface Mount / Wall Hung / Taphole / Overflow
<b>Wall hang required</b>	Mount after tiling - basin back has a recess to cater for bracket.
<b>Orientation</b>	Shelf to the right only
<b>Colour</b>	All Nood Co colours

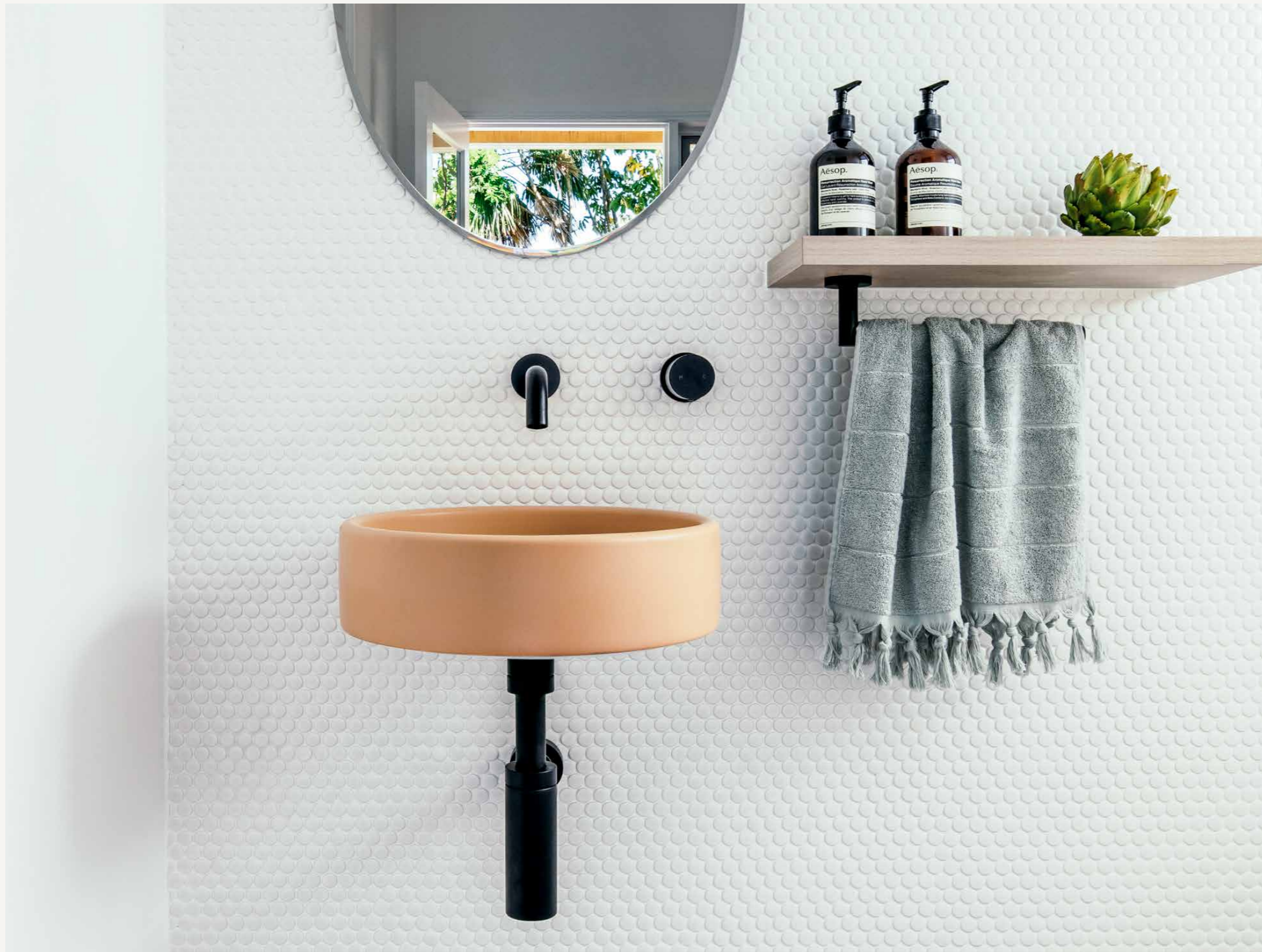
Image:



PLAN VIEW



SECTION VIEW



# Bowl

The Bowl Basin is feminine and refined. Dainty curves and soft pastels fuse together as this modest sink heroes your bathroom.

<b>Material</b>	UHP Concrete
<b>Finish</b>	Matte / Low Sheen
<b>Weight</b>	10kg (22lbs)
<b>Dimensions</b>	D400mm x H115mm (D15in x H4in)
<b>Bowl capacity</b>	8.9L (2.35gal)
<b>Tap hole</b>	N/A
<b>Overflow available</b>	N/A
<b>Waste required</b>	32mm or 40mm Standard (1½in) (1½in) (Waste not supplied by Nood Co)
<b>Warranty</b>	7-Year Residential Warranty. Refer to Warranty Sheet for specific information.
<b>Waste hole size</b>	46mm (1.8in)
<b>Wall thickness</b>	20mm (0.8in) (0.8in)
<b>Options</b>	Surface Mount / Wall Hung / Stand / Cylinder
<b>Wall hang required</b>	Mount before tiling - to timber frame or masonry wall.
<b>Colour</b>	All Nood Co colours

Image: Davine Bathrooms and RJS Studio featuring Bowl in Blush Pink. Captured by Vikram Hingmire.

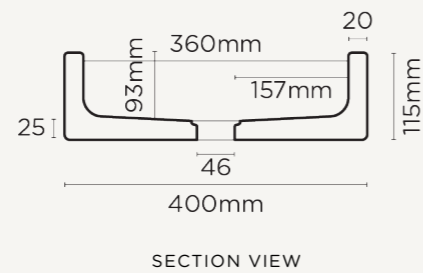
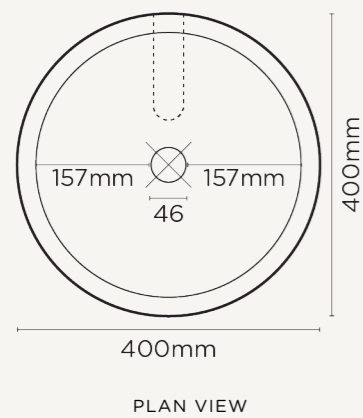




Image: North Perth House by Nic Brunsdon featuring Bowl in Blush Pink. Captured by Ben Hosking.



Image: Victoria Avenue by MJ Harris Group and Matt James Design featuring Bowl in Ivory. Captured by Joel Noon.

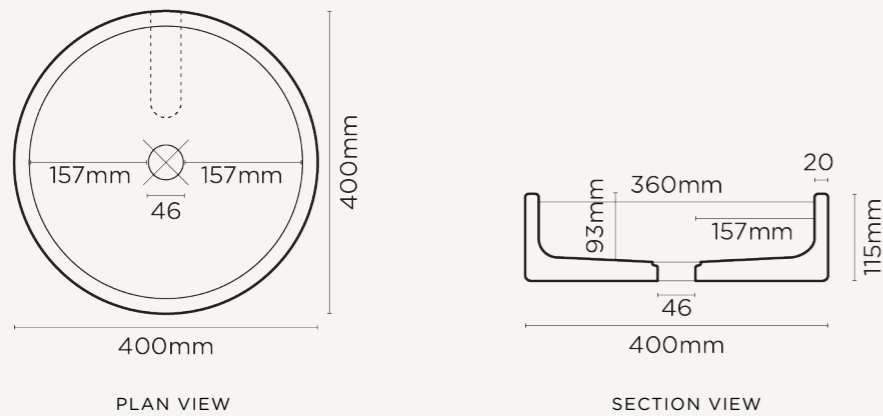


# Hoop

With a sleek, thinner wall, the Hoop Basin adds a refined touch to the bathroom.

<b>Material</b>	UHP Concrete
<b>Finish</b>	Matte / Low Sheen
<b>Weight</b>	10kg (22lbs)
<b>Dimensions</b>	D400mm x H115mm (D15in x H4in)
<b>Bowl capacity</b>	8.9L (2.35gal)
<b>Tap hole</b>	N/A
<b>Overflow available</b>	N/A
<b>Waste</b>	32mm (1¼in) or 40mm (1½in) Standard. (Waste not supplied by Nood Co)
<b>Warranty</b>	7-Year Residential Warranty. Refer to Warranty Sheet for specific information.
<b>Waste hole size</b>	46mm (1.8in)
<b>Wall thickness</b>	20mm (0.8in)
<b>Options</b>	Surface Mount / Wall Hung / Stand / Cylinder
<b>Wall hang required</b>	Mount before tiling - to timber frame or masonry wall.
<b>Colours</b>	All Nood Co colours

Image: Grange Road by Georgia does Design and MJ Harris Group featuring Hoop in Sky Grey. Captured by J Harri.





# Pill

The Pill Basin is the perfect designer finish for the modern bathroom. With sleek rounded edges and ultra fine concrete walls, this contemporary concrete sink is the showpiece to elevate your space.

<b>Material</b>	UHP Concrete
<b>Finish</b>	Matte / Low Sheen
<b>Weight</b>	12kg (26.5lbs)
<b>Dimensions</b>	L580mm x W380mm x H115mm (L22.8in x W15in x H4.3in)
<b>Bowl capacity</b>	12.7L (3.35gal)
<b>Tap hole</b>	N/A
<b>Overflow available</b>	N/A
<b>Waste required</b>	32mm or 40mm Standard (1½in) (Waste not supplied by Nood Co)
<b>Warranty</b>	7-Year Residential Warranty. Refer to Warranty Sheet for specific information.
<b>Waste hole size</b>	46mm (1.8in)
<b>Wall thickness</b>	8mm
<b>Options</b>	Surface Mount / Wall Hung / Stand
<b>Wall hang required</b>	Mount before tiling - to timber frame or masonry wall.
<b>Colour</b>	All Nood Co colours

Image: Paddington House by CG Design Studio featuring Pill in Musk. Captured by Brock Beazley Photography.

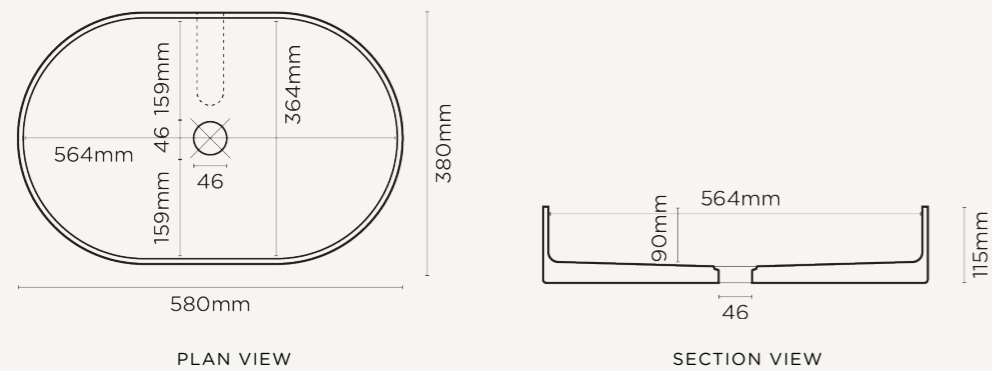






Image: Albert Park House by Luke Fry Architecture featuring Pill in Charcoal.



Image: Hawdon Street by Naomi McLean and MJ Harris Group featuring Pill in Ivory. Captured by Joel Noon.

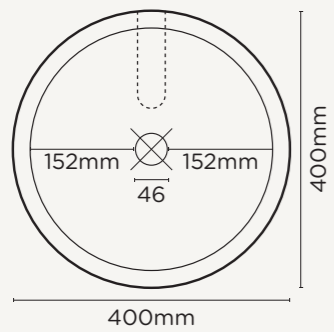


# Funl

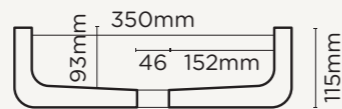
These gorgeous angled walls funnel down to a squared base to create an elegant bathroom masterpiece.

<b>Material</b>	UHP Concrete
<b>Finish</b>	Matte / Low Sheen
<b>Weight</b>	10kg (22lbs)
<b>Dimensions</b>	D400mm x H115mm (D15.75in x H4.53in)
<b>Bowl capacity</b>	8.9L (2.35gal)
<b>Tap hole</b>	N/A
<b>Overflow available</b>	N/A
<b>Waste</b>	32mm or 40mm Standard (1½in) (Waste not supplied by Nood Co)
<b>Warranty</b>	7-Year Residential Warranty. Refer to Warranty Sheet for specific information.
<b>Waste hole size</b>	46mm (1.8in)
<b>Wall thickness</b>	8mm (0.3in)
<b>Options</b>	Surface Mount / Wall Hung / Stand / Cylinder
<b>Wall hang required</b>	Mount before tiling - to timber frame or masonry wall.
<b>Colour</b>	All Nood Co colours

Image: Vivaldi Project by Jess O'Shea Designs featuring Funl in Pastel Peach. Captured by Peter Ellery.



PLAN VIEW



SECTION VIEW

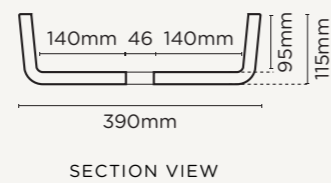
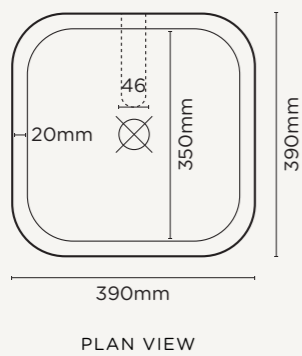


# Cube

Offsetting symmetry with smooth, rounded corners, the Cube Basin is the perfect addition to any bathroom space. Pair these together in a master ensuite for double the fun.

<b>Material</b>	UHP Concrete
<b>Finish</b>	Matte / Low Sheen
<b>Weight</b>	11kg (24.25lbs)
<b>Dimensions</b>	L390mm x W390mm x H115mm (L15.35in x W15.35in x H4.53in)
<b>Bowl capacity</b>	11.6L (3.08 gal)
<b>Tap hole</b>	N/A
<b>Overflow available</b>	N/A
<b>Waste</b>	32mm or 40mm Standard (1½in) (Waste not supplied by Nood Co)
<b>Warranty</b>	24 months
<b>Waste hole size</b>	46mm (1.8in)
<b>Wall thickness</b>	8mm
<b>Options</b>	Surface Mount / Wall Hung / Stand
<b>Wall hang required</b>	Mount before tiling - to timber frame or masonry wall.
<b>Colour</b>	All Nood Co colours

Image: Portola Valley by Sheila Ramer Interiors featuring Cube in Blush Pink.





# Prism Rectangle

Elegant lines, perfectly chamfered edge and considered proportion elevate the Prism to a new standard of basin design.

<b>Material</b>	UHP Concrete
<b>Finish</b>	Matte / Low Sheen
<b>Weight</b>	17.25kg (38lbs)
<b>Dimensions</b>	L595mm x W395mm x H115mm (L23.43in x W15.55in x H4.53in)
<b>Bowl capacity</b>	17.8L (4.7gal)
<b>Tap hole</b>	N/A
<b>Overflow available</b>	N/A
<b>Waste</b>	32mm or 40mm Standard (1½in) (Waste not supplied by Nood Co)
<b>Warranty</b>	7-Year Residential Warranty. Refer to Warranty Sheet for specific information.
<b>Waste hole size</b>	46mm (1.8in)
<b>Wall thickness</b>	10mm top edge / 20mm (0.8in) wall
<b>Options</b>	Surface Mount / Wall Hung / Stand / Vanity Set
<b>Wall hang required</b>	Mount before tiling - to timber frame or masonry wall.
<b>Colour</b>	All Nood Co colours

Image: Clisby Way by Kate Lawrence Interiors featuring Prism Rectangle in Ivory. Captured by The Palm Co.

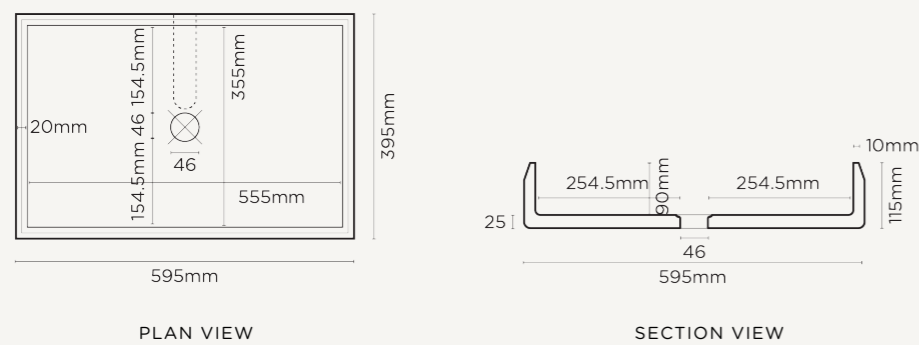




Image: Studio xOx Showroom designed by Mia Lake Interiors featuring Prism Rectangle in Pastel Peach. Captured by Pablo Veiga.

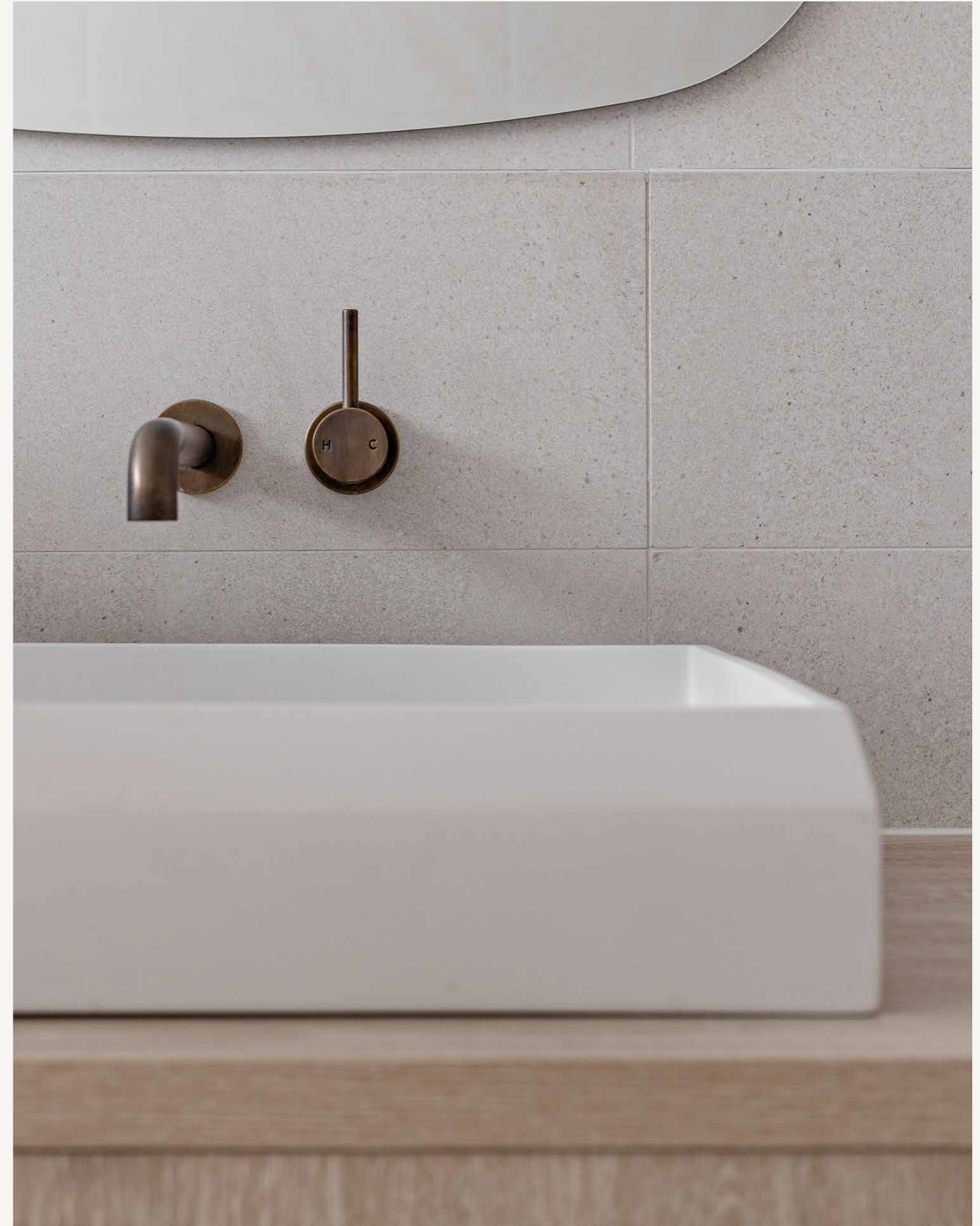


Image: Clisby Way by Kate Lawrence Interiors featuring Prism Rectangle in Ivory. Captured by The Palm Co.

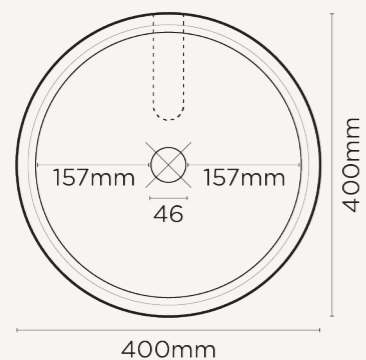


## Prism Circle

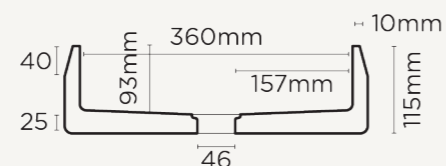
A Nood Co favourite, the alluring Prism Basin features an elegant chamfered edge and breathtaking high strength concrete finish.

<b>Material</b>	UHP Concrete
<b>Finish</b>	Matte / Low Sheen
<b>Weight</b>	10kg (22lbs)
<b>Dimensions</b>	D400mm x H115mm (D15.75in x H4.53in)
<b>Bowl capacity</b>	8.9L (2.35gal)
<b>Tap hole</b>	N/A
<b>Overflow available</b>	N/A
<b>Waste</b>	32mm or 40mm Standard (1½in) (Waste not supplied by Nood Co)
<b>Warranty</b>	7-Year Residential Warranty. Refer to Warranty Sheet for specific information.
<b>Waste hole size</b>	46mm (1.8in)
<b>Wall thickness</b>	10mm top edge / 20mm (0.8in) wall
<b>Options</b>	Surface Mount / Wall Hung / Stand / Cylinder
<b>Wall hang required</b>	Mount before tiling - to timber frame or masonry wall.
<b>Colour</b>	All Nood Co colours

Image: Paddington House by CG Design Studio featuring Prism Circle in Blush Pink. Captured by Brock Beazley.



PLAN VIEW



SECTION VIEW



Image: Shoreham Farmhouse by Two Style Interior featuring Prism Circle in Mint.

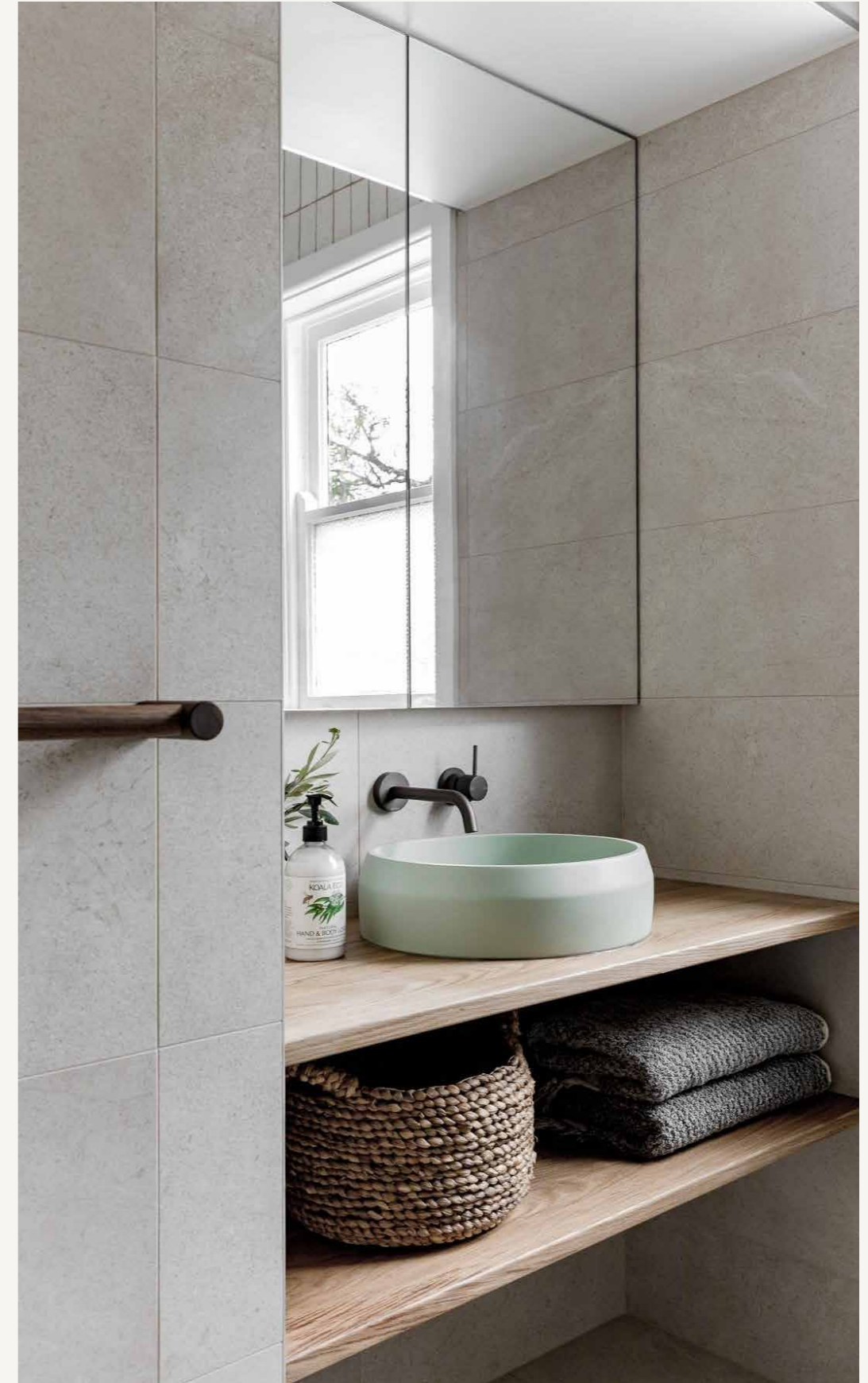


Image: The Treehouse by Sarah Yarrow Interiors featuring Prism Circle in Mint.

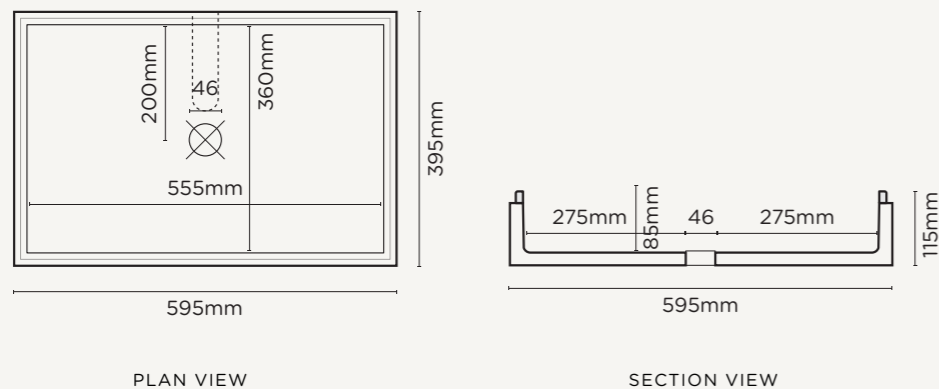


# Stepp Rectangle

The Stepp's are a designer's dream. Two toned colours, on trend palettes, elegant curves all creating a high-end, contemporary masterpiece.

<b>Material</b>	UHP Concrete.
<b>Finish</b>	Matte / Low sheen. Finish is organic, muted, has tonal variation in colour and finish
<b>Weight</b>	300kg (660lbs)
<b>Dimensions</b>	L595mm x D395mm x H115mm (L23.42in x D15.55in x H4.53in)
<b>Tub capacity</b>	17.8L (4.7gal)
<b>Waste</b>	Suits a standard 32mm, 40mm or 42mm (Waste not supplied by Nood Co)
<b>Warranty</b>	7-Year Residential Warranty. Refer to Warranty Sheet for specific information
<b>Waste hole size</b>	50mm (1.97in)
<b>Wall thickness</b>	45mm (1.78in)
<b>Orientation</b>	Freestanding
<b>Colour</b>	All Nood Co colours. Two Tone available

Image: Five Dock Bathroom by Sally Birch Design featuring Stepp Rectangle in Clay. Captured by The Palm Co.



PLAN VIEW

SECTION VIEW





# Stepp Circle

The Stepp's are a designer's dream. Two toned colours, on trend palettes, elegant curves all creating a high-end, contemporary masterpiece.

<b>Material</b>	UHP Concrete.
<b>Finish</b>	Matte / Low sheen. Finish is organic, muted, has tonal variation in colour and finish.
<b>Weight</b>	10kg (22lbs)
<b>Dimensions</b>	D400mm x H15mm (D15in x H4in)
<b>Tub capacity</b>	8.9L (2.35gal)
<b>Waste</b>	Suits a standard 32mm, 40mm or 42mm (Waste not supplied by Nood Co)
<b>Warranty</b>	7-Year Residential Warranty. Refer to Warranty Sheet for specific information.
<b>Waste hole size</b>	50mm (1.97in)
<b>Wall thickness</b>	45mm (1.78in)
<b>Orientation</b>	Freestanding
<b>Colour</b>	All Nood Co colours. Two Tone available.

Image: Paddington House by CG Design Studio featuring Stepp Circle in Copan Blue. Captured by Brock Beazley.

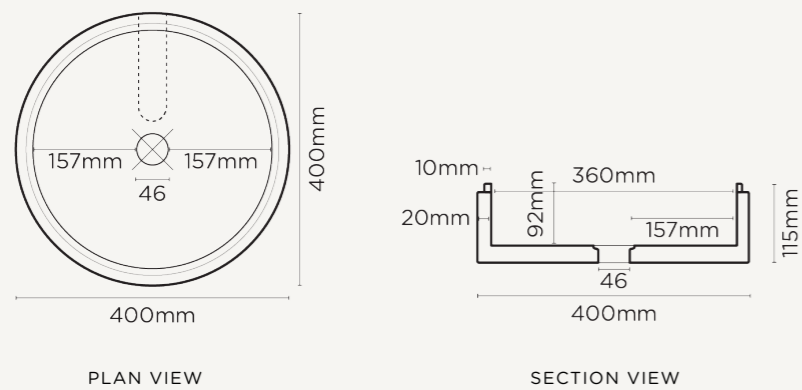




Image: The Lyons Life Project featuring Stepp Circle Basin in Mint.



Image: Lili Grewe home featuring Stepp Circle in Pastel Peach. Captured by Benni Janzen.

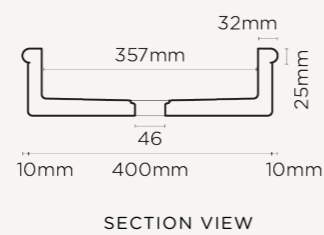
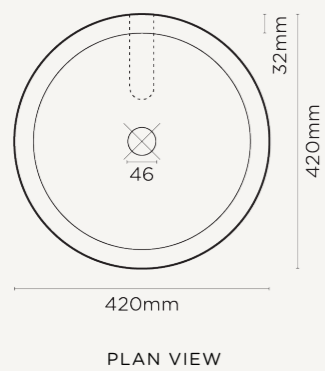


# Tubb

Cute and podgy, the curvy Tubb Basin features a bathtub style rim and the modernistic charm of the 1950s. A design for the true creatives.

<b>Material</b>	UHP Concrete
<b>Finish</b>	Matte / Low Sheen
<b>Weight</b>	10kg (22lbs)
<b>Dimensions</b>	D420mm (0.8in) x H110mm (16.54in x H4.53in)
<b>Bowl capacity</b>	8.9L (2.35gal)
<b>Tap hole</b>	N/A
<b>Overflow available</b>	N/A
<b>Waste required</b>	32mm or 40mm Standard (1½in) not provided by Nood Co
<b>Warranty</b>	7-Year Residential Warranty. Refer to Warranty Sheet for specific information.
<b>Waste hole size</b>	46mm (1.8in)
<b>Wall thickness</b>	20mm (0.8in)
<b>Options</b>	Surface Mount / Wall Hung / Stand / Cylinder
<b>Wall hang required</b>	Mount before tiling - to timber frame or masonry wall.
<b>Colour</b>	All Nood Co colours

Image: Indie Spa in Sunnymead Hotel by Cera Stribley featuring Tubb in Custard. Captured by Damien Cook.



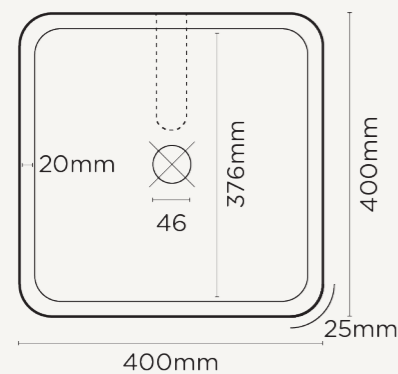


# Vesl Square

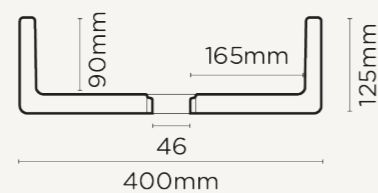
The Vesl Square is the perfect contemporary solution for your bathroom. Smooth, curved corners and ultra fine concrete elevate your space in pure style.

<b>Material</b>	UHP Concrete
<b>Finish</b>	Matte / Low Sheen
<b>Weight</b>	10kg (22lbs)
<b>Dimensions</b>	L400mm x W400mm x H125mm (L15in x W15in x H4in)
<b>Bowl capacity</b>	13.7L (3.6gal)
<b>Tap hole</b>	N/A
<b>Overflow available</b>	N/A
<b>Waste</b>	32mm or 40mm Standard (1 1/4in) (Waste not supplied by Nood Co)
<b>Warranty</b>	7-Year Residential Warranty. Refer to Warranty Sheet for specific information.
<b>Waste hole size</b>	46mm (1.8in)
<b>Wall thickness</b>	12mm (0.47in)
<b>Options</b>	Surface Mount / Wall Hung / Stand
<b>Wall hang required</b>	Mount before tiling - to timber frame or masonry wall.
<b>Colour</b>	All Nood Co colours

Image: Project Seven by Norsu Interiors and Soul Space Studios featuring Vesl Square in Powder Blue. Captured by Kate Collingwood Photography.



PLAN VIEW



SECTION VIEW

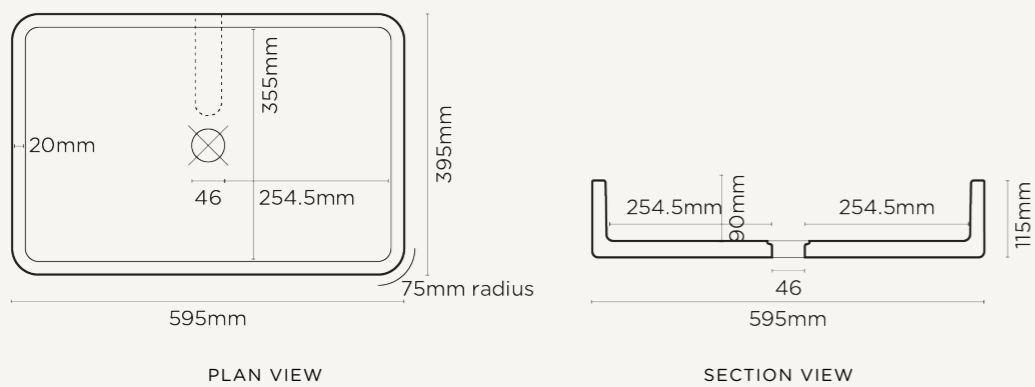


## Vesl Rectangle

Contemporary curves, refined concrete, the Vesl ushers in a new standard in high strength concrete basins for designers to engage.

<b>Material</b>	UHP Concrete
<b>Finish</b>	Matte / Low Sheen
<b>Weight</b>	17.5kg (38lbs)
<b>Dimensions</b>	L595mm x W395mm x H115mm (L23.43in x W15.55in x H4.53in)
<b>Bowl capacity</b>	17.8L (4.7gal)
<b>Tap hole</b>	N/A
<b>Overflow available</b>	N/A
<b>Waste</b>	32mm (1¼in) or 40mm (1½in) Standard (Waste not supplied by Nood Co)
<b>Warranty</b>	7-Year Residential Warranty. Refer to Warranty Sheet for specific information.
<b>Waste hole size</b>	46mm (1.8in)
<b>Wall thickness</b>	20mm (0.8in)
<b>Options</b>	Surface Mount / Wall Hung / Stand
<b>Wall hang required</b>	Mount before tiling - to timber frame or masonry wall.
<b>Colour</b>	All Nood Co colours

Image: Hive La Home featuring Vesl Rectangle in Pastel Peach. Captured by Amy Bartlam Photography.



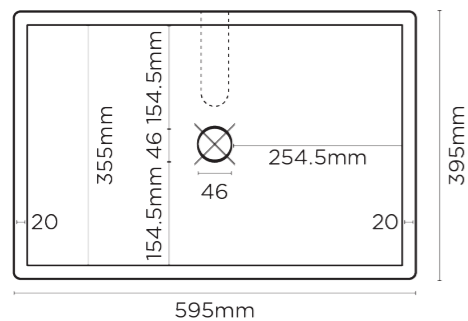


# Box

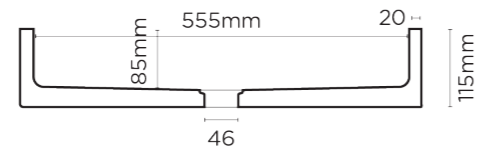
Add form and shape to your aesthetic and pastel to your palette. The structured form sits beautifully on surface tops throughout your home.

<b>Material</b>	UHP Concrete
<b>Finish</b>	Matte / Low Sheen
<b>Weight</b>	17.25kg (38lbs)
<b>Dimensions</b>	L595mm x W395mm x H115mm (L23.43in x W15.55in x H4.53in)
<b>Bowl capacity</b>	17.8L (4.7gal)
<b>Tap hole</b>	N/A
<b>Overflow available</b>	N/A
<b>Waste</b>	32mm or 40mm Standard (1 1/2in) (Waste not supplied by Nood Co)
<b>Warranty</b>	7-Year Residential Warranty. Refer to Warranty Sheet for specific information.
<b>Waste hole size</b>	46mm (1.8in)
<b>Wall thickness</b>	20mm (0.8in)
<b>Options</b>	Surface Mount / Wall Hung / Stand
<b>Wall hang required</b>	Mount before tiling - to timber frame or masonry wall.
<b>Colour</b>	All Nood Co colours

Image: Rosso Verde by Carter Williamson featuring Box Basin in Clay. Captured by Pablo Veiga.



PLAN VIEW



SECTION VIEW

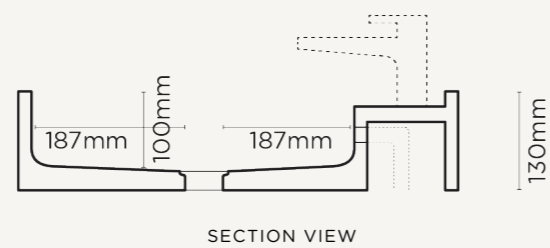
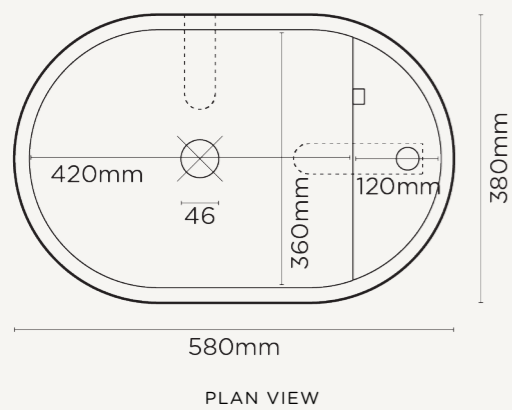


## Shelf Oval

For tight spaces, powder rooms, hotel and apartment blocks this medium sized Shelf basin has a space for soap or a tap hole, and a further option of overflow, wall mount or surface mount. A masterful design with a clever bracketing system that ensures a beautiful aesthetic.

<b>Material</b>	UHP Concrete
<b>Finish</b>	Matte / Low Sheen
<b>Weight</b>	16.5kg (13.6lbs)
<b>Dimensions</b>	L580mm x W380mm x H115mm (L22.8in x W14.9in x H4.5in)
<b>Bowl capacity</b>	8.6L (2.3gal)
<b>Tap hole</b>	N/A
<b>Overflow available</b>	White, black or chrome (housing option) Kit Chrome - Overflow basin requires 32mm waste.
<b>Waste</b>	32mm or 40mm Standard (Waste not supplied by Nood Co, Overflow basin requires 32mm waste)
<b>Warranty</b>	7-Year Residential Warranty. Refer to Warranty Sheet for specific information.
<b>Waste hole size</b>	46mm (1.8in)
<b>Wall thickness</b>	20mm (0.8in)
<b>Options</b>	Surface Mount / Wall Hung / Tap hole / Overflow
<b>Wall hang required</b>	Mount before tiling - to timber frame or masonry wall.
<b>Orientation</b>	Left and right
<b>Colour</b>	All Nood Co colours

Image: Abbott Kinney by carbon + bone and Bittoni Architects featuring Shelf Oval in Blush Pink. Captured by Michael Clifford.



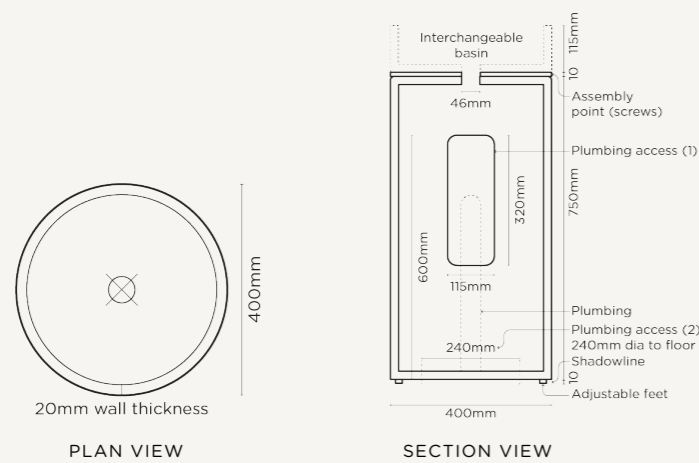


# Cylinder

This unique all concrete pedestal is a modern day modular design—meaning you get to choose the colour of the basin, cylinder, and tray if you want one. Each piece is available in all colours.

<b>Material</b>	UHP Concrete
<b>Finish</b>	Matte / Low Sheen
<b>Weight</b>	Total Cylinder with basin: 32.5kg (71.6lbs)
<b>Dimensions</b>	Finished Height - basin only 870mm (34.2in)
<b>(Floor to top edge of basin)</b>	Finished Height - basin with tray 885mm (34.8in)
<b>Tray option</b>	Left or right orientation
<b>Bowl capacity</b>	8.9L (2.35gal)
<b>Tap hole</b>	N/A
<b>Overflow available</b>	N/A
<b>Waste</b>	32 or 40mm Standard (Waste not supplied by Nood Co)
<b>Warranty</b>	7-Year Residential Warranty. Refer to Warranty Sheet for specific information.
<b>Waste hole size</b>	32mm Standard (1 1/4in)
<b>Wall thickness</b>	Cylinder Wall thickness: 125mm Basin Wall: see basin spec.
<b>Options</b>	Freestanding
<b>Wall hang required</b>	L Bracket and fixings provided to fit to wall
<b>Basin options</b>	Bowl, Bowl (2), Funl, Stepp Circle, Prism Circle, Hoop, Tubb
<b>Colour</b>	All Nood Co colours

Image: The Block Pool Cabana featuring Tubb Cylinder in Blush Pink with Ivory Tray.





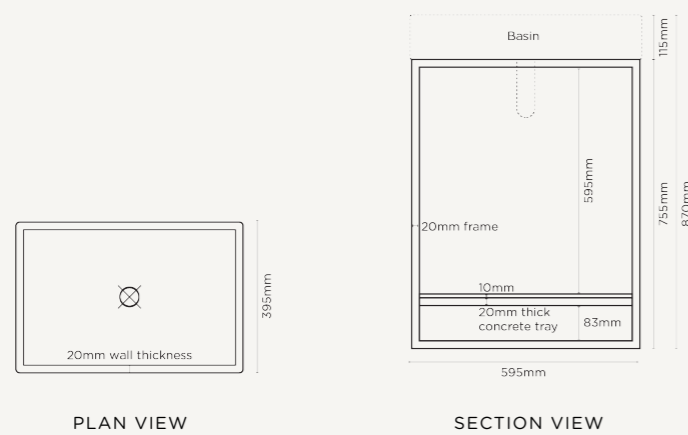


## Box Vanity Set

This stunning bathroom display setting will set your space apart, featuring a concrete basin sat upon a fine powder coated steel frame. Refined modern with a nostalgic reference.

<b>Material</b>	UHP Concrete
<b>Finish</b>	Matte / Low Sheen
<b>Weight</b>	35kg (77lbs)
<b>Dimensions</b>	L595mm x D395mm x H870mm (L23.42in x D15.55in x H34.25in)
<b>Bowl capacity</b>	17.8L (4.7gal)
<b>Tap hole</b>	N/A
<b>Overflow available</b>	N/A
<b>Waste</b>	32mm or 40mm Standard (1½in) (Waste not supplied by Nood Co)
<b>Warranty</b>	24 months
<b>Waste hole size</b>	32mm Standard (1 1/4in)
<b>Wall thickness</b>	20mm (0.8in)
<b>Options</b>	Freestanding
<b>Wall hang required</b>	N/A
<b>Notes</b>	Delivered as 3 pieces, sink, frame and tray. Fixing: Adeshive provided. L Bracket option to fix to wall. Bottle trap - Not provided by Nood Co.
<b>Colour</b>	All Nood Co colours

Image: Ew Studios featuring Box Vanity Set in Mint. Captured by Diana Paulson, Linea Studio.



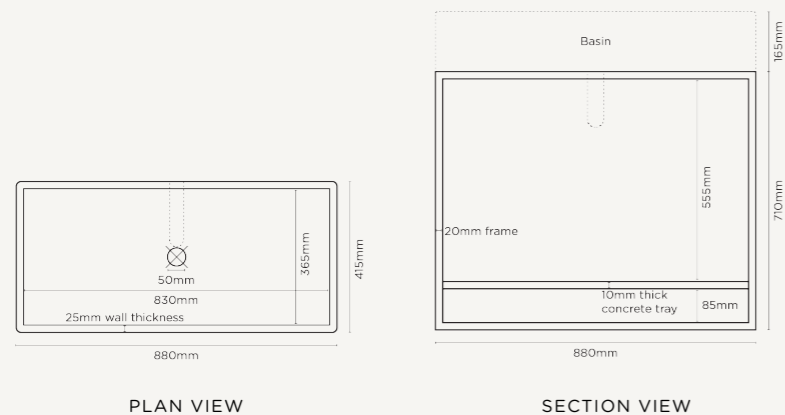


# Trough Vanity Set

This stunning bathroom display setting will set your space apart, featuring a concrete basin sat upon a fine powder coated steel frame. Refined modern with a nostalgic reference.

<b>Material</b>	UHP Concrete
<b>Finish</b>	Matte / Low Sheen
<b>Weight</b>	49kg (108lbs)
<b>Dimensions</b>	L875mm x W415mm x H875mm (L34.5in x W16.3in x H34.5in)
<b>Bowl capacity</b>	17.8L (4.7gal)
<b>Tap hole</b>	N/A
<b>Overflow available</b>	N/A
<b>Waste</b>	Suits a standard 32mm, 40mm or 42mm (Waste not supplied by Nood Co)
<b>Warranty</b>	24 months
<b>Waste hole size</b>	32mm Standard (1 1/4in)
<b>Wall thickness</b>	20mm (0.8in)
<b>Options</b>	Freestanding
<b>Wall hang required</b>	N/A
<b>Notes</b>	Delivered as 3 pieces, sink, frame and tray. Fixing: Adeshive provided. L Bracket option to fix to wall. Bottle trap - Not provided by Nood Co.
<b>Colour</b>	All Nood Co colours

Image: Image: Bunker House Gerringong by Future Flip featuring Trough Vanity Set in Pastel Peach with Black Frame.



# nood co.<sup>TM</sup>

Consciously made in Australia

## Nood Co Sales Representatives

VIC | SA | NT | TAS [lee.hall@noodco.com.au](mailto:lee.hall@noodco.com.au)

NSW [nick.manderson@noodco.com.au](mailto:nick.manderson@noodco.com.au)

WA [amanda.lee@noodco.com.au](mailto:amanda.lee@noodco.com.au)

QLD [cooper.pugh@noodco.com.au](mailto:cooper.pugh@noodco.com.au)

Unit 7/7 O'Malley Street, Osborne Park WA 6017

Website [noodco.com.au](http://noodco.com.au) | Instagram [@nood\\_co](https://www.instagram.com/@nood_co) | Tik Tok [@nood\\_co](https://www.tiktok.com/@nood_co) | Pinterest [noodcoconcrete](https://www.pinterest.com/noodcoconcrete)

ABN 31 166 430 173 | ACN 166 430 173