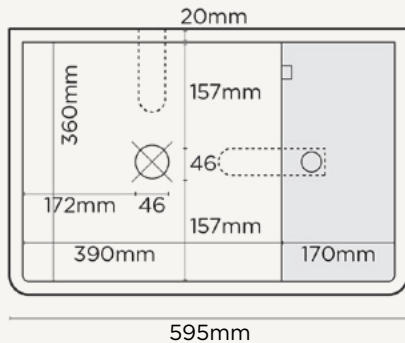
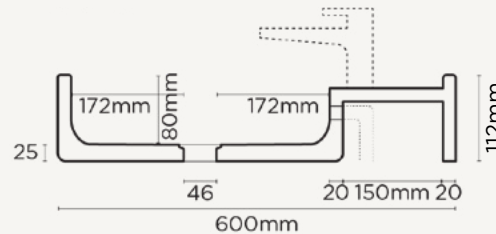




SHELF 03 BASIN



PLAN VIEW



SECTION VIEW

## Shelf 03

<b>Material</b>	Ultra High Performance Concrete (UHPC)
<b>Finish</b>	Matte / Low Sheen
<b>Weight</b>	17kg (37.5lbs)
<b>Dimensions</b>	L595mm x W395mm x H112mm (L23.4in x W23.6in x H4.4in)
<b>Bowl Capacity</b>	9.1L (3.2gal)
<b>Overflow Options</b>	<b>Overflow Available:</b> Chrome, White, Black or Brass
<b>Waste</b>	32mm (1 1/4in) or 40mm (1 1/2in) Standard. <b>Traditional/Non-Overflow Waste Only</b> (not provided by Nood, Overflow basin requires 32mm waste)
<b>Warranty</b>	Refer to <a href="#">Warranty</a> for specific information.
<b>Waste Hole Size</b>	50mm (1.97in)
<b>Wall Thickness</b>	20mm (0.8in) (subject to slight variation)
<b>Options</b>	Surface Mount / Wall Hung / Tap Hole / Overflow
<b>Wall Hung</b>	Mount after tiling - basin back has a recess to cater for bracket
<b>Colours</b>	All Nood Co Colours
<b>Orientation</b>	Right Option Only

For accurate colour matching, we recommend using our sample kits or visiting an authorised reseller. Natural variations and characteristics, such as patina and pinholes, are to be expected in concrete and do not constitute as defects. As this product is handmade, sizing is subject to slight variation.

[View Online](#)