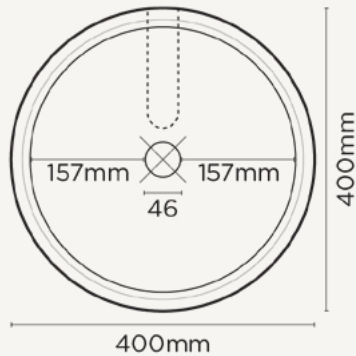
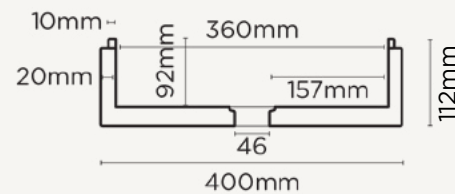




STEPP CIRCLE BASIN



PLAN VIEW



SECTION VIEW

Stepp Circle

Material	Ultra High Performance Concrete (UHPC)
Finish	Matte / Low Sheen
Weight	8.5kg (18.74lbs)
Dimensions	D400mm x H112mm (D15.75in x H4.41in)
Bowl Capacity	8.4L (2.97gal)
Waste	32mm (1 1/4in) or 40mm (1 1/2in) Standard. Traditional/Non-Overflow Waste Only (Not Supplied by Nood Co).
Warranty	Refer to Warranty for specific information.
Waste Hole Size	50mm (2.0in)
Wall Thickness	10mm Top edge / 20mm Wall (0.4in Top Edge / 0.8in Wall)
Options	Surface Mount / Wall Hung / Stand / Cylinder
Wall Hung	Mount before tiling - to timber frame or masonry wall.
Colours	All Nood Co Colours

For accurate colour matching, we recommend using our sample kits or visiting an authorised reseller. Natural variations and characteristics, such as patina and pinholes, are to be expected in concrete and do not constitute as defects. As this product is handmade, sizing is subject to slight variation.

[View Online](#)