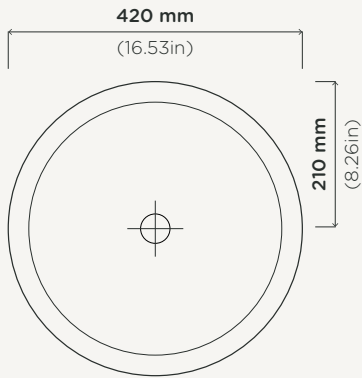
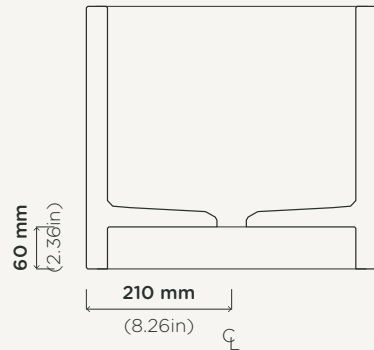


Elevation View



Plan View



Section View



Millie Raw

Material	Ultra High Performance Concrete (UHPC)
Weight	30kg (66lbs)
Dimensions	D420mm x H375mm (D16.53in x H14.76in)
Bowl Capacity	28.52L (7.53gal)
Waste	32mm (1.25in) or 40mm (1.50in) Standard Non-Overflow Waste Only (Not Supplied by Nood Co)
Warranty	Refer to Warranty for specific information
Install Guide	installnood.co
Options	Surface Mount Only

For accurate colour matching, we recommend using our sample kits or visiting an authorised reseller. Natural variations and characteristics, such as patina and pinholes, are to be expected in concrete and do not constitute as defects. As this product is handmade, sizing is subject to slight variation.

[View Online](#)