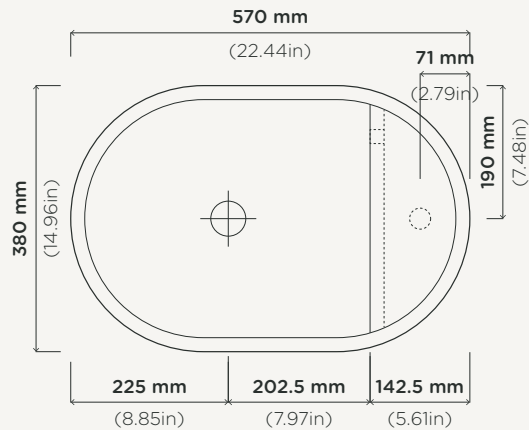
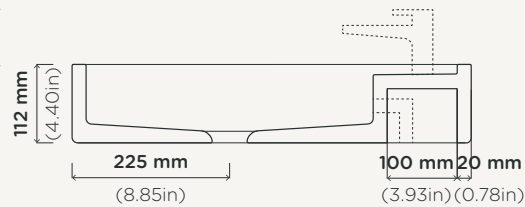


Elevation View



Plan View



Section View

## Shelf Oval

<b>Material</b>	Ultra High Performance Concrete (UHPC)
<b>Weight</b>	11kg (24.25lbs)
<b>Dimensions</b>	L570mm x W380mm x H112mm (L22.44in x W14.96in x H4.41in)
<b>Bowl Capacity</b>	14L (3.7gal)
<b>Tap Hole (Optional)</b>	35mm (1.37in)
<b>Overflow Finish (Optional)</b>	Chrome, White, Black or Brass
<b>Waste</b>	32mm (1.25in) or 40mm (1.50in) Standard <b>Non-Overflow Waste Only</b> (not provided by Nood). If you select the overflow model you can <b>only use a 32mm</b> non overflow waste.
<b>Warranty</b>	Refer to <a href="#">Warranty</a> for specific information
<b>Install Guide</b>	<a href="https://installnood.co">installnood.co</a>
<b>Options</b>	Surface Mount / Wall Mount / Tap Hole / Overflow
<b>Wall Mount</b>	<b>Bracket must be mounted to the wall before tiling.</b>
<b>Orientation</b>	Right Shelf Option Only

For accurate colour matching, we recommend using our sample kits or visiting an authorised reseller. Natural variations and characteristics, such as patina and pinholes, are to be expected in concrete and do not constitute as defects. As this product is handmade, sizing is subject to slight variation.

[View Online](#)