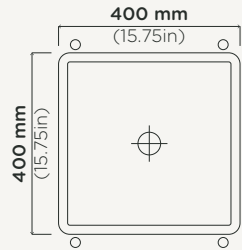
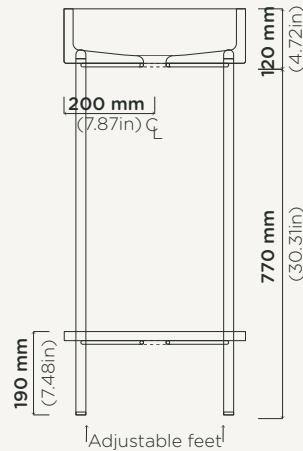


Elevation View



Plan View



Section View

## Vesl Square Basin Stand

<b>Material</b>	Ultra High Performance Concrete (UHPC)
<b>Weight</b>	21.5kg (47.4lbs)
<b>Dimensions</b>	L400mm x W400mm x H890mm (L15.7in x W15.7in x H35.03in)
<b>Bowl Capacity</b>	13.7L (5.2gal)
<b>Waste</b>	32mm (1.25in) or 40mm (1.50in) Standard <b>Non-Overflow Waste Only</b> (Not Supplied by Nood Co)
<b>Warranty</b>	Refer to <a href="#">Warranty</a> for specific information.
<b>Install Guide</b>	<a href="#">installnood.co</a>
<b>Options</b>	White Frame / Black Frame
<b>Installation</b>	L Bracket and fixings provided to fit to wall, adjustable feet on all legs.
<b>Assembly</b>	Frame (One Piece), Basin & Tray Separate Instructions provided

For accurate colour matching, we recommend using our sample kits or visiting an authorised reseller. Natural variations and characteristics, such as patina and pinholes, are to be expected in concrete and do not constitute as defects. As this product is handmade, sizing is subject to slight variation.

[View Online](#)